

AUTONOMOUS SWEEPER

商用清洁机器人

零部件图册 Part Catalog



本说明书仅作为最终用户使用参考
上海高仙自动化科技发展有限公司保留对本文件的修改权和解释权
上海高仙自动化科技发展有限公司
<http://www.gs-robot.com>



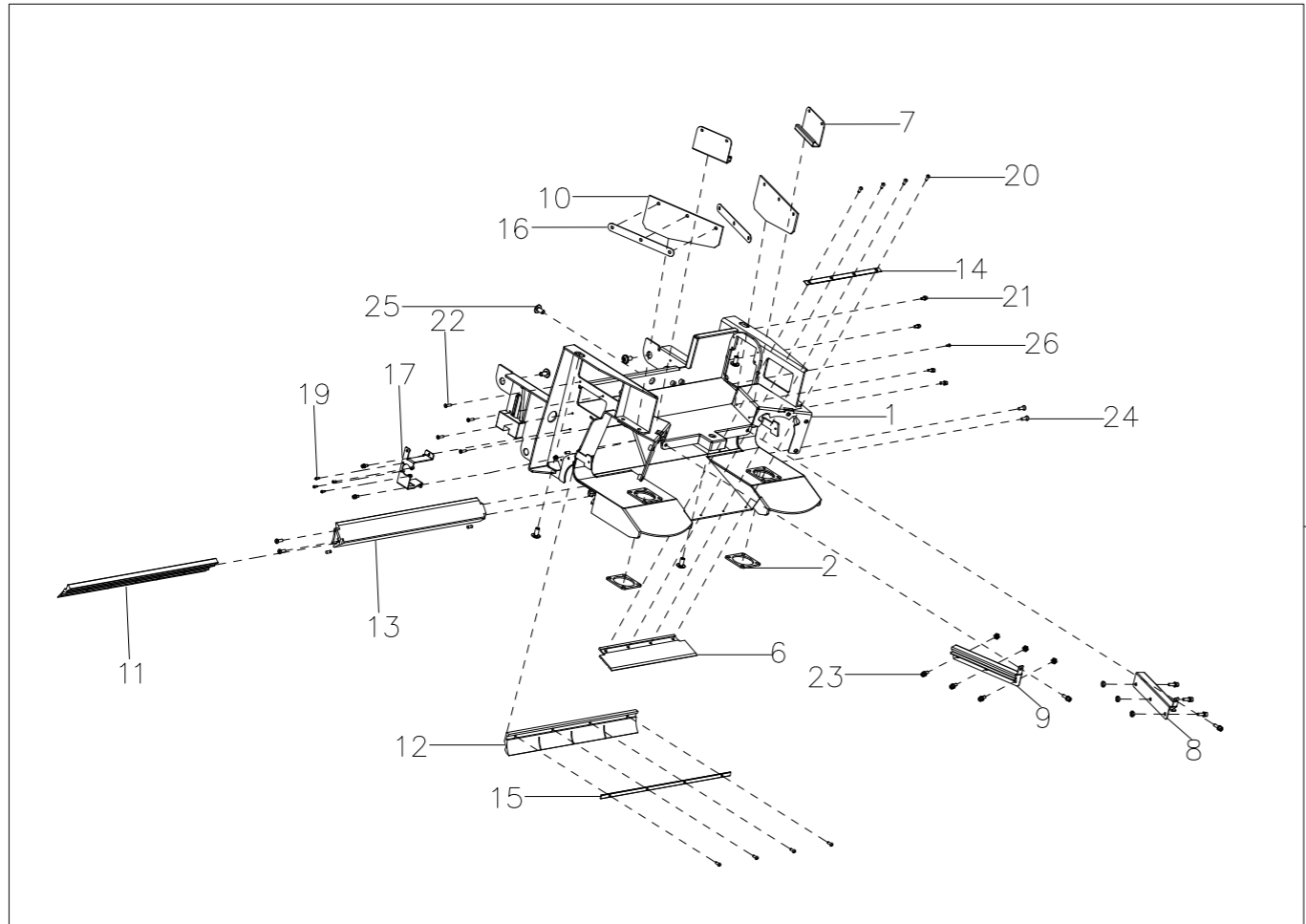
目录 Directory

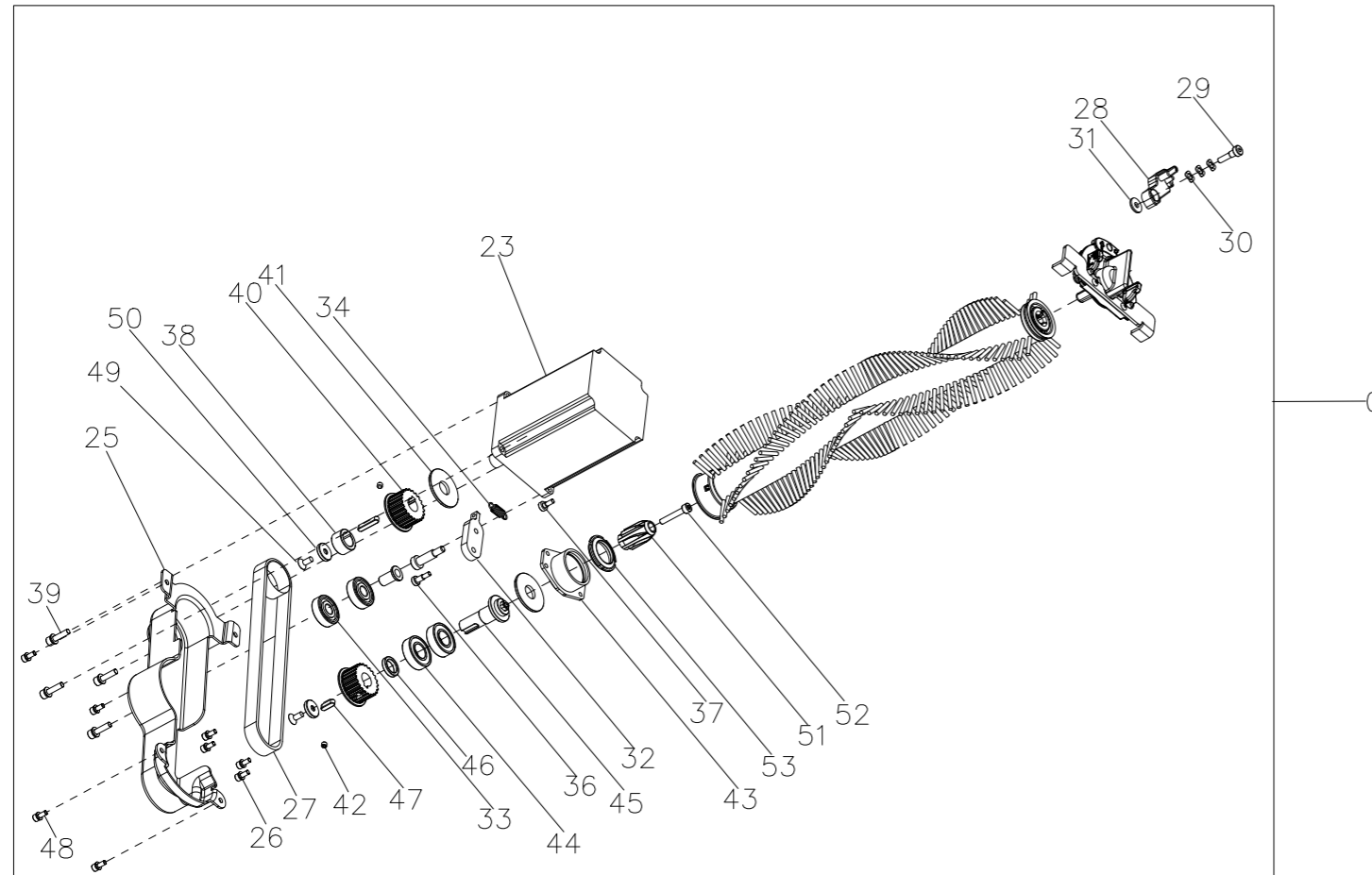
目录 Directory	1
总装图 Final assembly drawing	2
清扫组件 Cleaning component	3
车架总成 Frame assembly	4
驱动总成 Drive assembly	6
边刷总成 Side brush assembly	7
滚刷组件及滚刷端盖组件 Roller brush assembly and drive box cover	8
垃圾箱总成 Garbage bin assembly	11
车身组件 Body components	12
前装饰件总成 Front trim assembly	13
装饰件总成 Decorative parts assembly	15
顶盖组件 Top cover assembly	17
上盖组件 Upper cover assembly	21
带把手上盖中组件 The assembly in the handle cover	23
带把手上盖上组件 Cover the assembly with the handle	25
把手转轴组件 Handle shaft assembly	26
电气仓总成 Electrical compartment assembly	27
车身覆盖件 Body panel	31
检修门组件 Inspection door assembly	32
3D 激光组件 3D laser component	33
抑尘组件 Dust suppression component	35
吸风总成 Suction assembly	36
过滤总成 Filtration assembly	39
震尘总成 Dust-shaking assembly	40



车架总成 Frame assembly

序号 No.	物料编码 Part Number	中文名称 Chinese Name	英文名称 English Name	数量 Quantity	Y 为备件 Spare Parts	替换料号 Replace part number	备注 Remarks
0	9000027510-A01	车架总成	Frame assembly	1	N		
1	1003001400-B02	车架	Frame	1	N		
2	1002018580-A01	垫片	Gasket	2	Y		
3	3010009170-A01	线束附件	Wiring harness accessories	1	Y		无数模 NO CAD
4	3010005750-A01	线束附件	Wiring harness accessories	2	Y		无数模 NO CAD
5	3010005760-A01	线束附件	Wiring harness accessories	1	Y		无数模 NO CAD
6	1004028080-A01	前胶皮	Front rubber	1	Y		
7	1003001650-A02	胶皮压板	Rubber pressure plate	2	Y		
8	1003001660-A02	左胶皮压板	Left rubber pressure plate	1	Y		
9	1003001670-A02	右胶皮压板	Right rubber pressure plate	1	Y		
10	1004028140-A01	侧挡胶皮	Side guard rubber	2	Y		
11	1004028150-A02	滚刷胶皮	Roller brush rubber	1	Y		
12	1004028160-A01	后胶皮	Rear rubber sheet	1	Y		
13	1003001680-A02	滚刷刮条压板	The roller brush squeezes the strip pressure plate	1	Y		
14	1003001700-A01	胶皮压板	Rubber pressure plate	1	Y		
15	1003001710-A01	胶皮压板	Rubber pressure plate	1	Y		
16	1003001720-A01	胶皮压板	Rubber pressure plate	2	Y		
17	1003001350-A02	充电支架	Charging stand	1	Y		
18	3010005750-A01	线束附件	Wiring harness accessories	1	Y		无数模 NO CAD
19	208310308021	耐落内六角平圆头螺钉	Drop resistant hexagon socket flat round head screw	4	Y		
20	A0301011361	耐落内六角平圆头螺钉	Drop resistant hexagon socket flat round head screw	8	Y		
21	208240410	耐落内六角圆柱头螺钉 (组合螺丝, 带弹垫平垫)	Drop resistant hexagon socket cylindrical head screws (combination screws, with elastic flat washers)	9	Y		
22	208140416021	耐落内六角沉头螺栓	Drop resistant hexagon socket countersunk bolt	4	Y		
23	208230516	内六角圆柱头螺钉 (组合螺丝, 带弹垫平垫)	Hexagon socket cylindrical head screws (combination screws, with elastic flat washers)	8	Y		
24	208140516	耐落内六角沉头螺钉	Drop resistant hexagon socket countersunk screw	4	N		
25	208320816001	耐落内六角平圆头凸缘螺钉	Drop resistant hexagon socket flat round head flange screw	6	N		
26	A0301010019	内六角沉头螺钉	Hexagon socket countersunk screw	1	N		
27	100600448A-A01	左侧密封条	Left sealing strip	1	Y		无数模 NO CAD



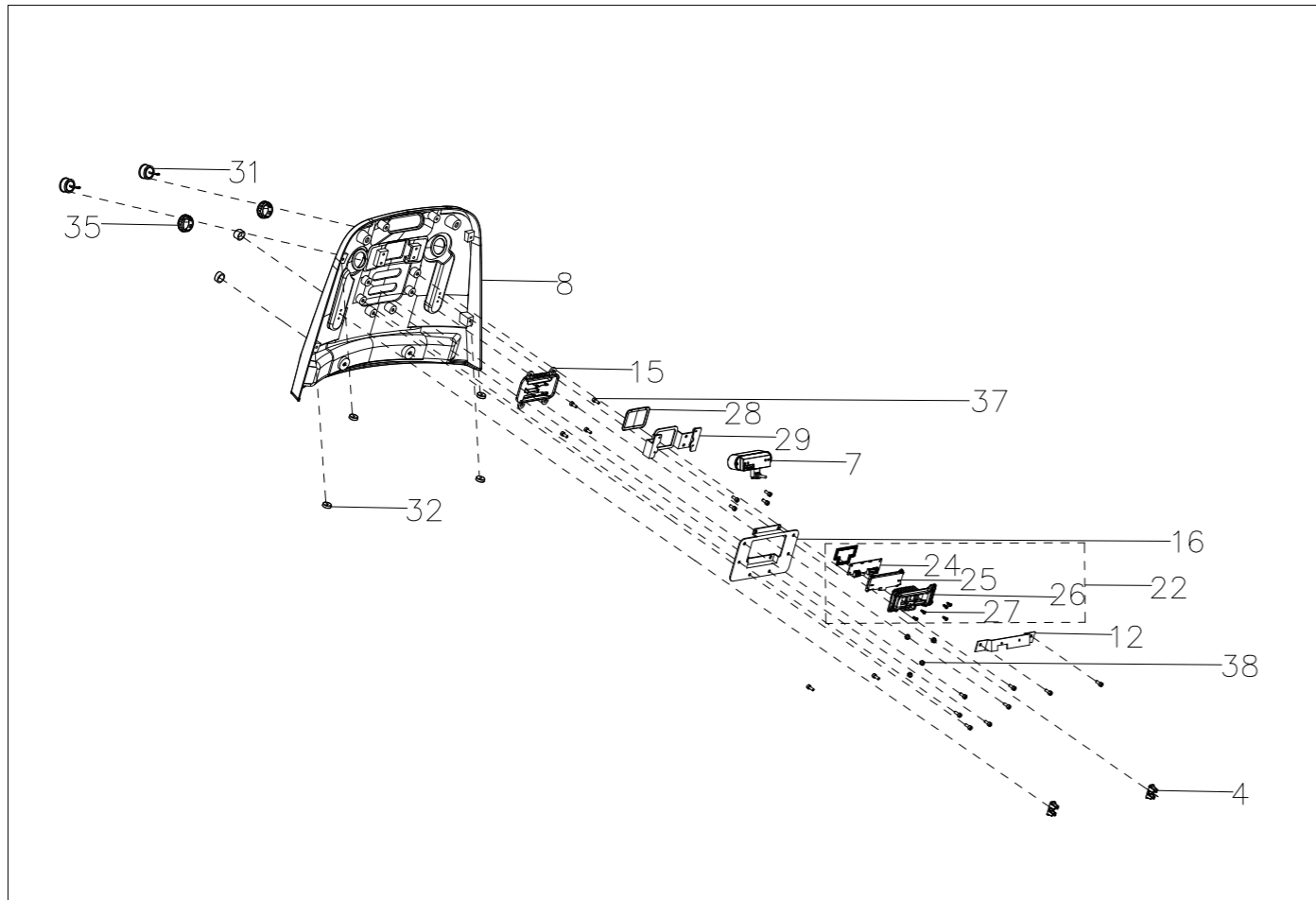


序号 No.	物料编码 Part Number	中文名称 Chinese Name	英文名称 English Name	数量 Quantity	Y 为备件 Spare Parts	替换料号 Replace part number	备注 Remarks
0	9000028360-A01	滚刷总成	Roller brush assembly	1	N		
23	3007000670-B02	降噪主刷电机（无刷）	Noise-reducing main brush motor (brushless)	1	Y		
24	1020008310-A01	3M 背胶扎带	3M self-adhesive cable ties	1	Y		无数模 NO CAD
25	1004028170-A02	左侧传动箱盖	The left drive box cover	1	Y		
26	208240410	耐落内六角圆柱头螺钉 (组合螺丝, 带弹垫平垫)	Drop resistant hexagon socket cylindrical head screws (combination screws, with elastic flat washers)	4	Y		
27	1004028180-A01	同步带	Synchronous belt	1	N		
28	100900870	后锁扣	Rear lock	1	N		
29	101100090	轴肩螺钉	Shaft shoulder screw	1	N		
30	102000728	波垫	Wave pad	3	N		
31	100201238	垫片	Gasket	1	N		
32	1003001690-A01	惰轮摆臂	Idler wheel swing arm	1	Y		
33	204211002	深沟球轴承	Deep groove ball bearing	2	Y		
34	1007003930-A02	拉簧	Tension spring	1	N		
35	208780820001	内六角圆柱头轴肩螺钉	Hexagon socket cylindrical head shaft shoulder screw	1	N		无数模 NO CAD
36	A0301070350	内六角圆柱头轴肩螺钉	Hexagon socket cylindrical head shaft shoulder screw	1	N		
37	102000101	塞打螺钉	Plug the screw	1	N		
38	A0313402880	电机间隔圈	Motor spacer ring	1	N		
39	208240520	耐落内六角圆柱头螺钉 (组合螺丝, 带弹垫平垫)	Drop resistant hexagon socket cylindrical head screws (combination screws, with elastic flat washers)	4	Y		
40	100900796	同步带轮	Synchronous pulley	2	N		
41	100900778	带轮挡边	With wheel flange	2	N		
42	A0301010870	内六角平端紧定螺钉 (顶丝)	Hexagon socket flat-end set screw (set screw)	2	Y		
43	100900809	传动箱体轴承座	Transmission box bearing housing	1	Y		
44	204211501B0	深沟球轴承	Deep groove ball bearing	2	Y		
45	100900667	带轮输出轴	Pulley output shaft	1	N		
46	A0309010460	垫圈	Gasket	1	N		
47	205611601	普通平键 A 型	Ordinary flat key type A	1	Y		
48	208240410	耐落内六角圆柱头螺钉 (组合螺丝, 带弹垫平垫)	Drop resistant hexagon socket cylindrical head screws (combination screws, with elastic flat washers)	4	N		



前装饰件总成 Front trim assembly

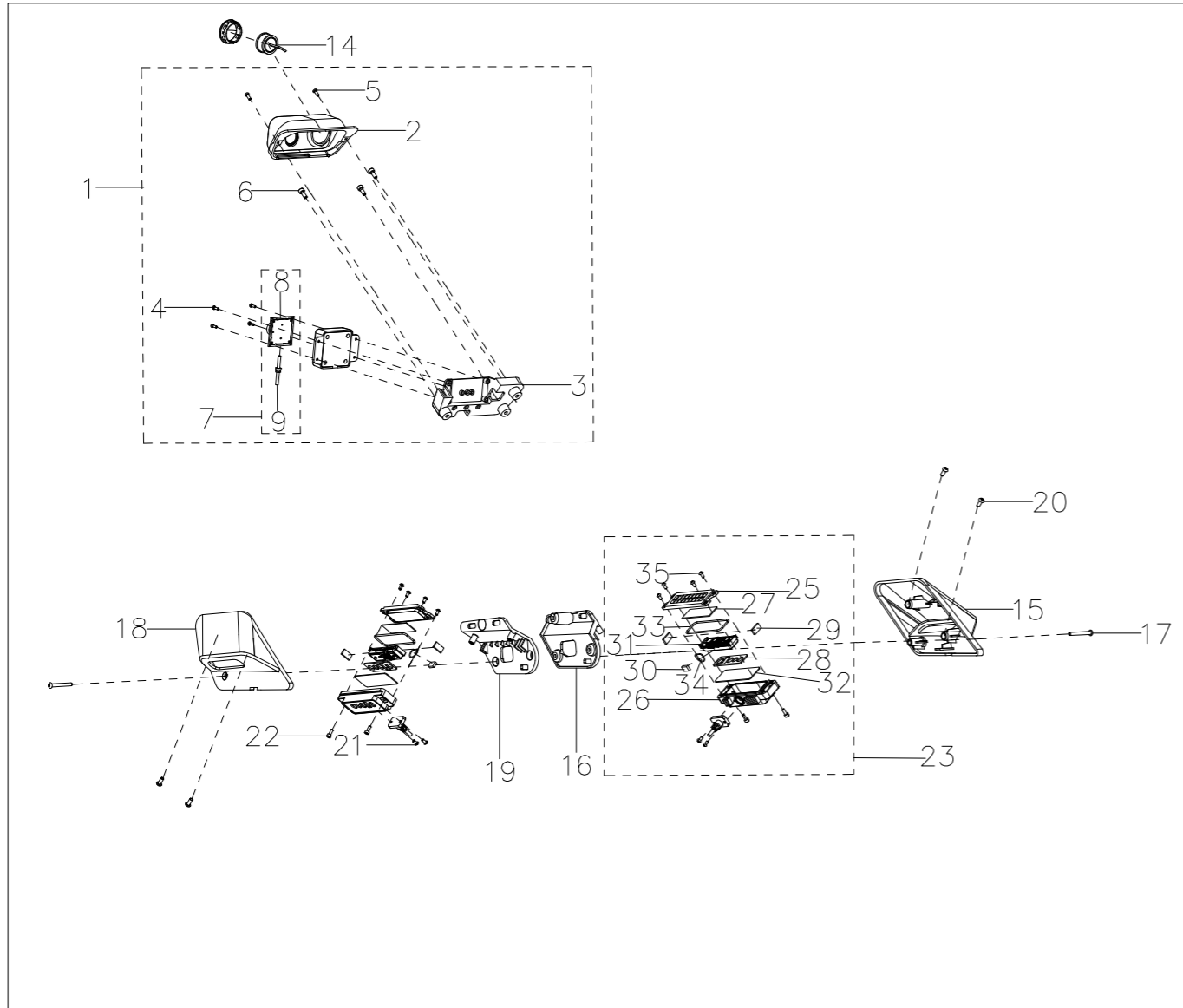
序号 No.	物料编码 Part Number	中文名称 Chinese Name	英文名称 English Name	数量 Quantity	Y 为备件 Spare Parts	替换料号 Replace part number	备注 Remarks
0	9000027640-A01	前装饰件总成	Front trim assembly	1	N		
1	3010009170-A01	线束附件	Wiring harness accessories	4	Y		无数模 NO CAD
2	3010009170-A01	线束附件	Wiring harness accessories	1	Y		无数模 NO CAD
3	3010009170-A01	线束附件	Wiring harness accessories	2	Y		无数模 NO CAD
4	1004024600-B01	插座板	Socket board	2	Y		1.0.1 需要 3 个插座板, CAD 只有 2 个 1.0.1 need 3 EA Socket board, CAD only 2EA
4	1004024600-B01	插座板	Socket board	1	Y		无数模 NO CAD
5	201112J08021	十字槽沉头自攻螺钉 F 型	Cross-groove countersunk head self-tapping screw type F	2	N		无数模 NO CAD
6	3010009020-A01	前平大白 USB 线	Front flat large white USB cable	1	Y		无数模 NO CAD
7	300500152A-A01	深度摄像头	Depth camera	1	Y		
8	1004027910-c01	前盖组件	Front cover assembly	1	Y		
9	208240412	耐落内六角圆柱头螺钉 (组合螺丝, 带弹垫平垫)	Drop resistant hexagon socket cylindrical head screws (combination screws, with elastic flat washers)	7	N		无数模 NO CAD
10	A0301010068	内六角平圆头螺钉	Hexagon socket flat round head screw	2	N		无数模 NO CAD
11	100600422A-A01	密封泡棉	Sealing foam	1	Y		无数模 NO CAD
12	1004027920-A01	前大白安装支架	The front big white installation bracket	1	Y		
13	A0301011323	十字盘头螺钉	Cross head screw	2	N		无数模 NO CAD
14	208230410021	耐落内六角圆柱头螺钉 (组合螺钉)	Drop resistant hexagon socket cylindrical head screws (combination screws)	2	N		无数模 NO CAD
15	100400827	充电极片座	Charging electrode plate holder	1	Y		
16	100201833A-C01	充电极片安装板	Charging electrode sheet mounting plate	1	Y		
17	100202032A-A01	L 型支架	L-shaped bracket	2	Y		无数模 NO CAD
18	208240410	耐落内六角圆柱头螺钉 (组合螺丝, 带弹垫平垫)	Drop resistant hexagon socket cylindrical head screws (combination screws, with elastic flat washers)	2	Y		无数模 NO CAD
19	202160400	锁紧螺母	Lock nut	2	N		无数模 NO CAD

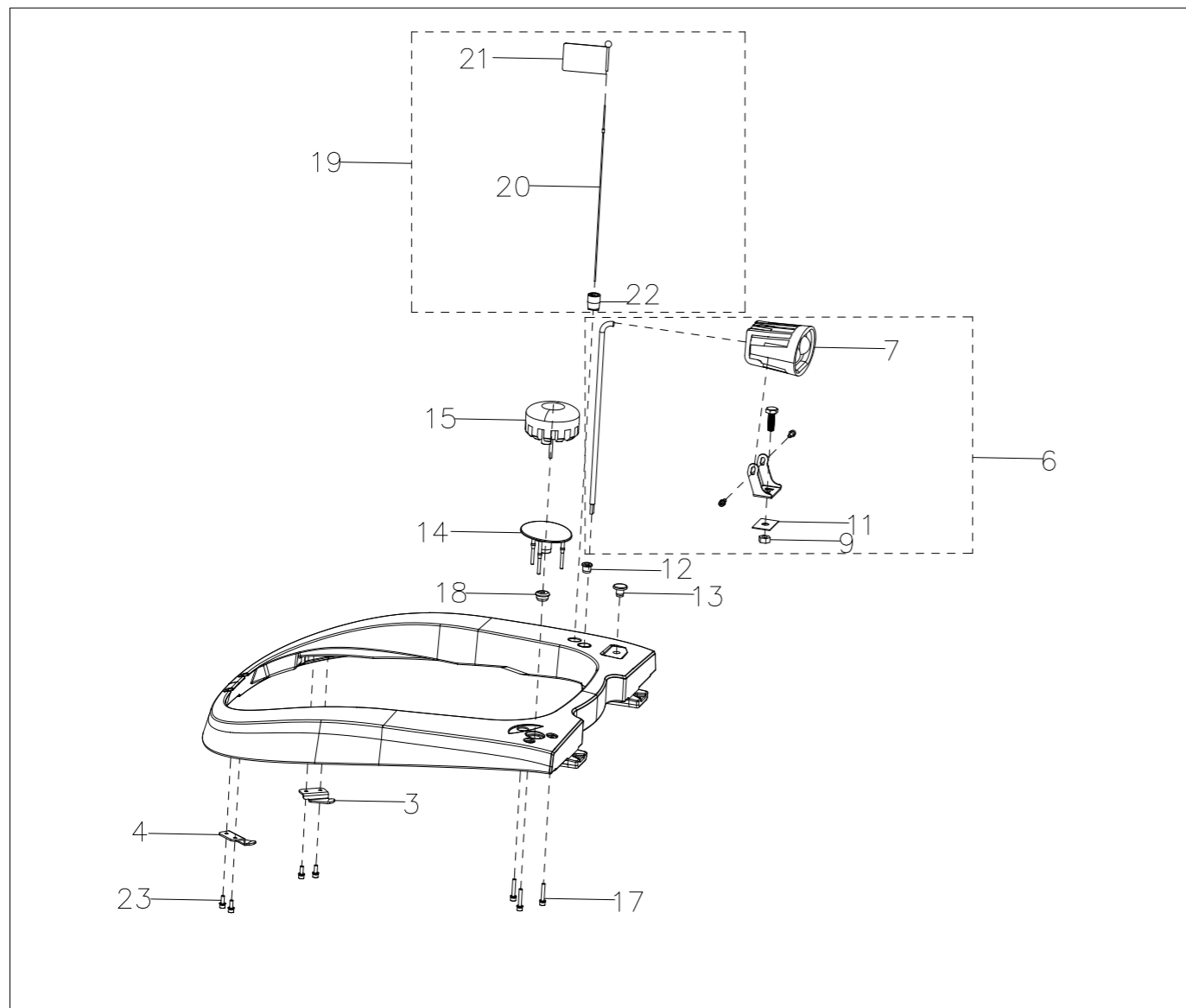




装饰件总成 Decorative parts assembly

序号 No.	物料编码 Part Number	中文名称 Chinese Name	英文名称 English Name	数量 Quantity	Y 为备件 Spare Parts	替换料号 Replace part number	备注 Remarks
0	9000027650-A01	装饰件总成	Decorative parts assembly	1	N		
1	S02000010120-A01	后摄像头组件(含外壳)	Rear camera assembly (including housing)	1	Y		SW1 软银定制性能版日本 V1.0.1 SW1 SoftBank Custom Performance Edition Japan V1.0.1
2	1004029650-A01	后摄像头外壳	Rear camera housing	1	Y		
3	1004029660-A01	后摄像头支架	Rear camera bracket	1	Y		
4	208432E08001	耐落十字槽小盘头螺钉	Drop-resistant cross groove small head screw	4	N		
5	208430308001	十字槽小盘头螺钉	Cross-groove small head screw	2	N		
6	208220410001	耐落内六角圆柱头螺钉	Drop resistant hexagon socket cylindrical head screw	3	N		
7	9000026540-A01	摄像头组件	Camera assembly	1	Y		
8	300500106	深度摄像头	Depth camera	1	N		
9	3010008990-A01	后中彩 USB 线	The rear color USB cable	1	Y		
10	1004024600-B01	插座板	Socket board	1	Y		无数模 NO CAD
11	A0301010342A	十字槽盘头自攻螺丝	Cross-groove disc head self-tapping screw	4	N		无数模 NO CAD
12	201352J12021	十字槽盘头自攻螺钉 F 型	Cross-groove disc head self-tapping screw type F	7	N		无数模 NO CAD
13	3010009170-A01	线束附件	Wiring harness accessories	1	Y		无数模 NO CAD
14	3003000700-A01	补光灯	Fill light	1	Y		
15	1004027870-B01	侧大白支架左	Left side of the large white stand	1	Y		
16	1004027880-B01	左侧大白安装支架	The large white mounting bracket on the left	1	Y		
17	A0301010022	内六角平圆头螺钉	Hexagon socket flat round head screw	2	N		
18	1004027890-B01	侧大白支架右	On the right side of the large white stand	1	Y		
19	1004027900-B01	右侧大白安装支架	The large white mounting bracket on the right side	1	Y		
20	A0301011361	耐落内六角平圆头螺钉	Drop resistant hexagon socket flat round head screw	10	Y		
21	208340306001	耐落内六角平圆头螺钉	Drop resistant hexagon socket flat round head screw	4	N		

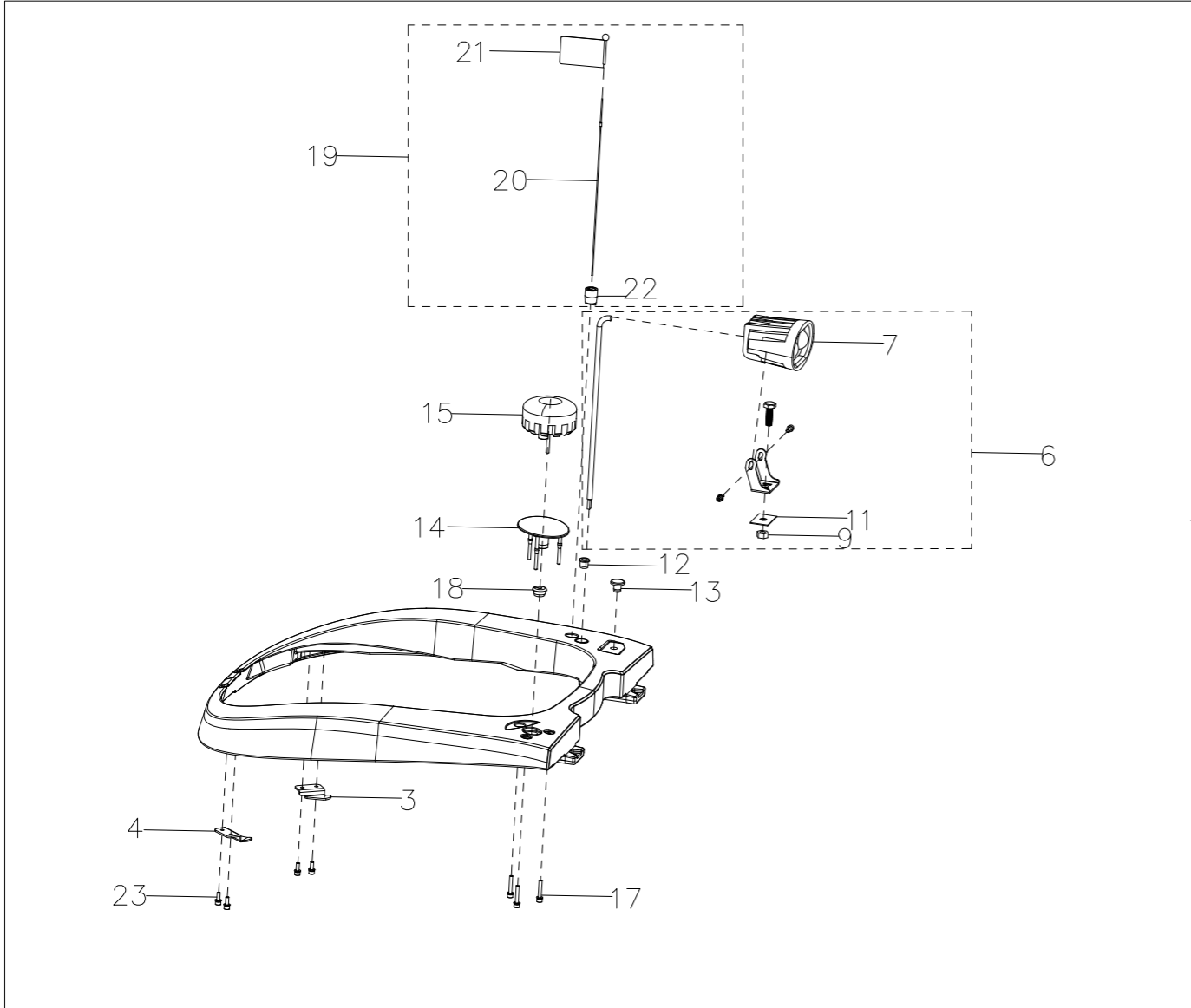


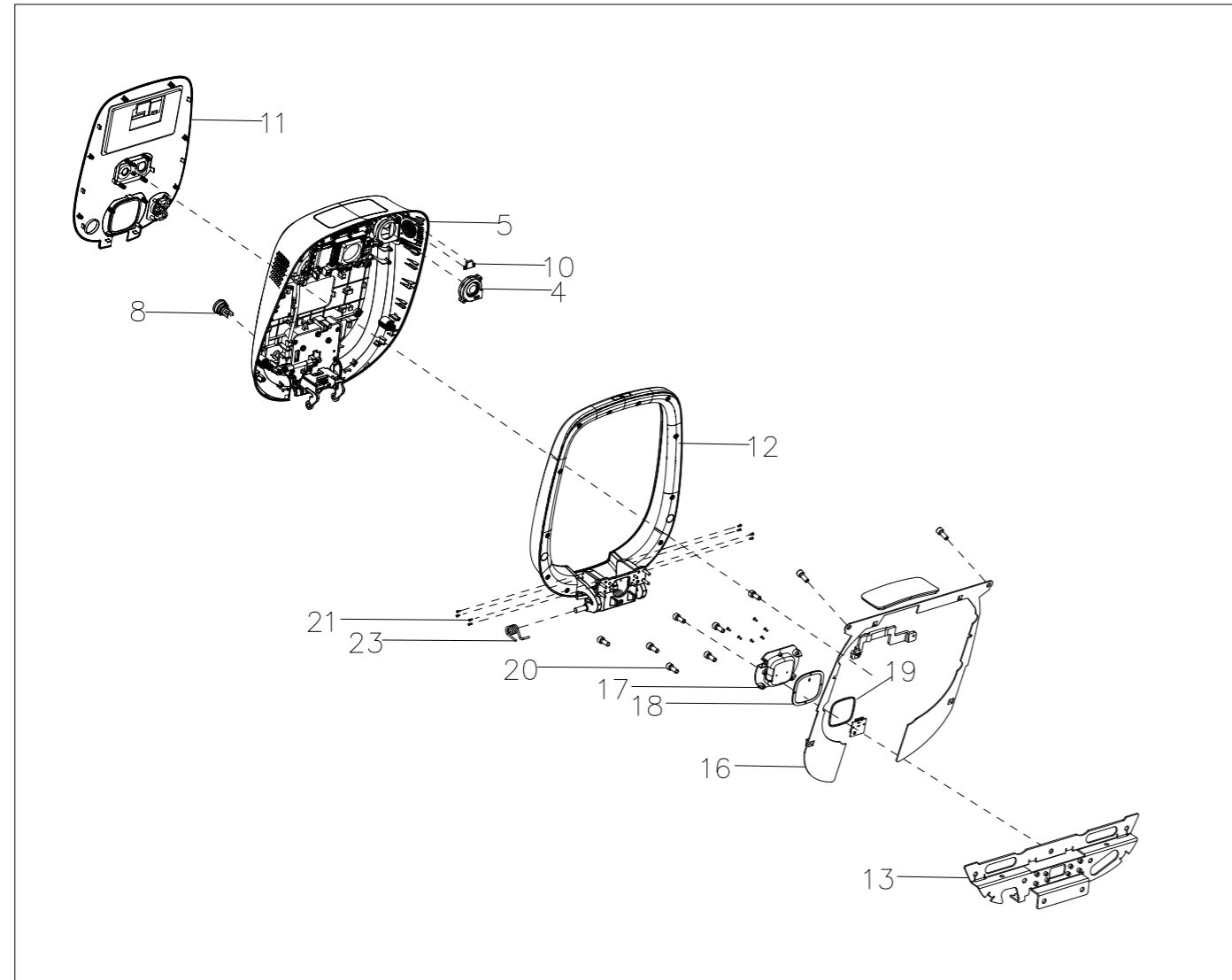


序号 No.	物料编码 Part Number	中文名称 Chinese Name	英文名称 English Name	数量 Quantity	Y 为备件 Spare Parts	替换料号 Replace part number	备注 Remarks
11	1006004100-A01	硅胶垫片	Silicone gasket	1	Y		SW1 软银定制 PRO 性能版澳大利亚 V1.0.1 SW1 SoftBank Custom PRO Performance Edition Australia V1.0.1
12	100201976R-B01	警示灯密封塞	Warning light sealing plug	1	Y		SW1 软银定制性能版日本 V1.0.1 SW1 SoftBank Custom Performance Edition Japan V1.0.1
13	100201977R-B01	警示灯螺孔密封塞	Warning light screw hole sealing plug	1	Y		SW1 软银定制性能版日本 V1.0.1 SW1 SoftBank Custom Performance Edition Japan V1.0.1
14	100201966R-B01	爆闪灯密封塞	Flash lamp sealing plug	1	Y		SW1 软银定制性能版日本 V1.0.1 SW1 SoftBank Custom Performance Edition Japan V1.0.1



序号 No.	物料编码 Part Number	中文名称 Chinese Name	英文名称 English Name	数量 Quantity	Y 为备件 Spare Parts	替换料号 Replace part number	备注 Remarks
15	3003000210-B01	爆闪灯	Strobe light	1	Y		SW1 软银定制 PRO 性能版澳大利亚 V1.0.1 SW1 SoftBank Custom PRO Performance Edition Australia V1.0.1
16	300300021	爆闪灯	Strobe light	1	Y		无数模 NO CAD SW1 软银定制 PRO 性能版澳大利亚 V1.0.1 SW1 SoftBank Custom PRO Performance Edition Australia V1.0.1
17	208240430001	耐落内六角圆柱头螺钉 (组合螺丝)	Drop resistant hexagon socket cylindrical head screws (combination screws)	3	N		
18	100600406R-B01	出线橡胶塞	Rubber stopper for wire output	1	Y		SW1 软银定制 PRO 性能版澳大利亚 V1.0.1 SW1 SoftBank Custom PRO Performance Edition Australia V1.0.1
19	9000028430-A01	警示旗总成	Warning flag assembly	1	N		

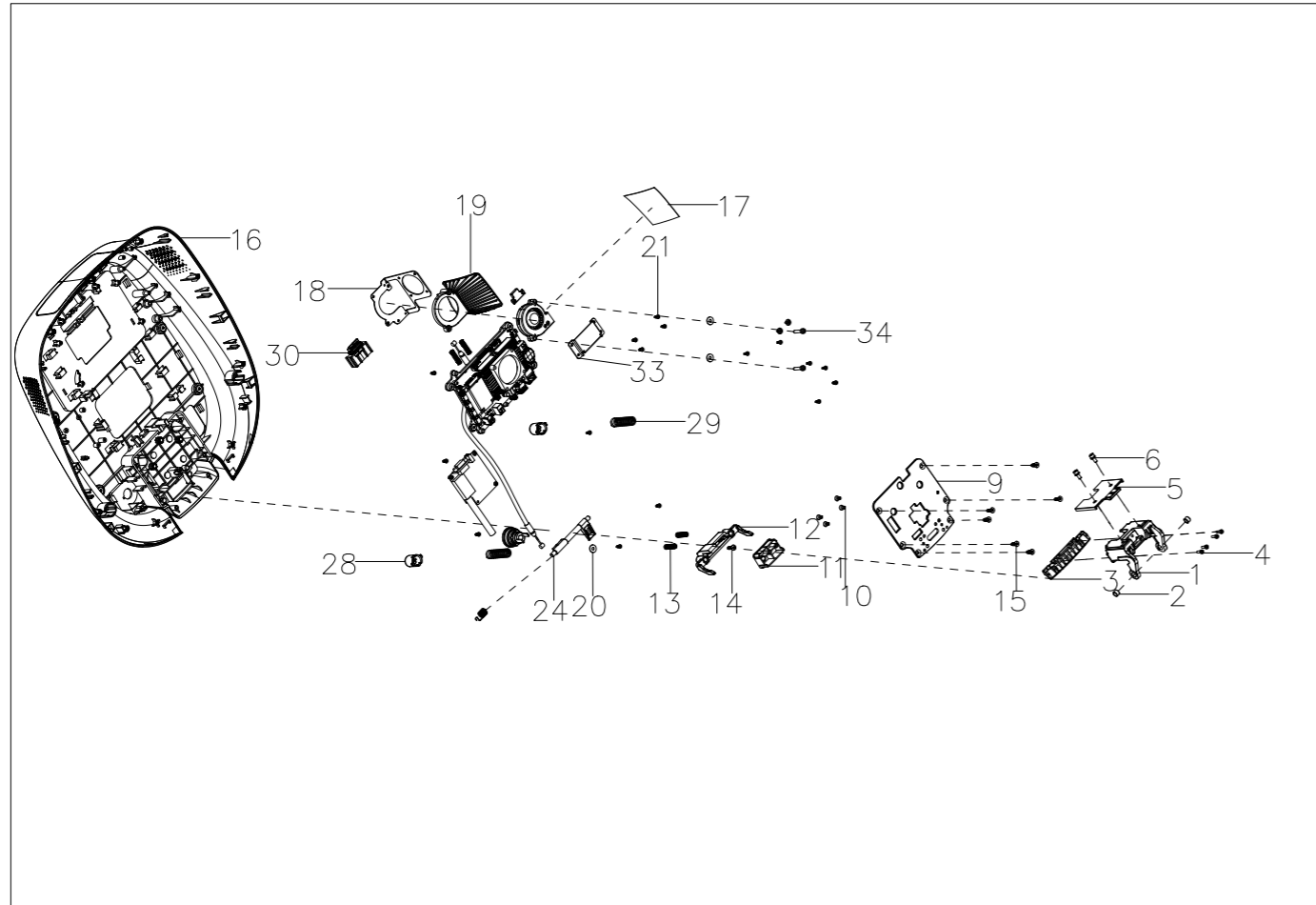




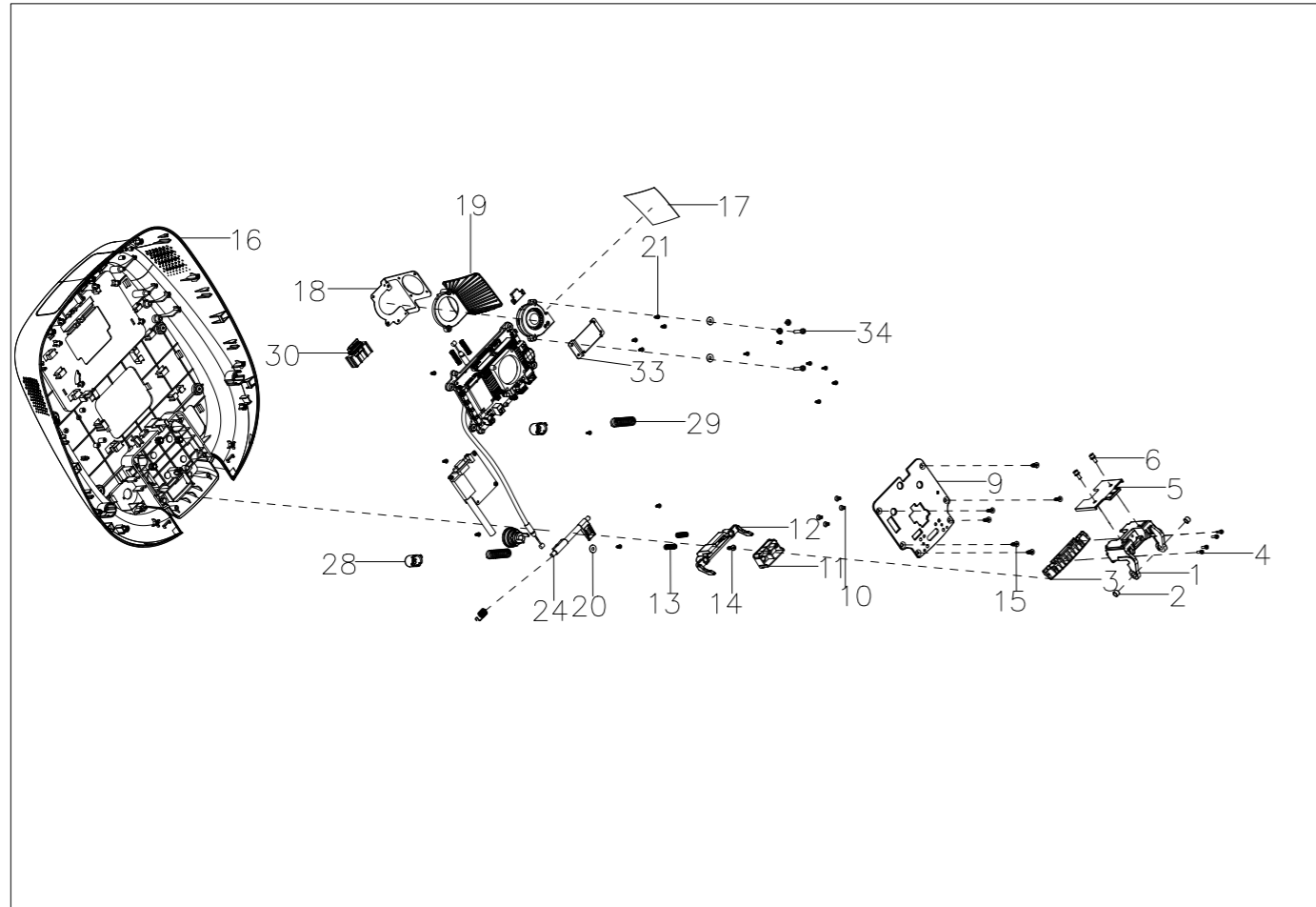
序号 No.	物料编码 Part Number	中文名称 Chinese Name	英文名称 English Name	数量 Quantity	Y 为备件 Spare Parts	替换料号 Replace part number	备注 Remarks
11	9000028140-A01	带把手上盖上组件	Cover the assembly with the handle	1	N		
12	9000028470-A01	把手转轴组件	Handle shaft assembly	1	N		
13	100201854A-C01	头盖连接板	Head cover connection plate	1	Y		
14	3010005820-A01	线束附件	Wiring harness accessories	4	Y		无数模 NO CAD
15	3010005820-A01	线束附件	Wiring harness accessories	8	Y		无数模 NO CAD
16	100402809A-D01	头盖底板	Head cover base plate	1	Y		
17	100402807A-B01	堵塞安装板	Block the installation plate	1	Y		
18	100402854A-A01	SIM 卡盖板	SIM card cover plate	1	Y		
19	100402855A-A01	硅胶垫圈	Silicone gasket	1	Y		
20	208152E05021	耐落十字槽沉头螺钉	Drop-resistant cross groove countersunk screws	4	N		
21	208432E06021	耐落十字槽小盘头螺钉	Drop-resistant cross groove small head screw	2	N		
22	100402810A-B01	橡胶堵头	Rubber plug	1	Y		无数模 NO CAD
23	1007002750-B01	把手缓冲阻尼扭簧	Handle buffer damping torsion spring	1	Y		
24	9000028460-A01	LORA 特征组件	LORA feature component	1	N		无数模 NO CAD 选配 Optional
25	400803035	LORA(E32)通讯板	LORA(E32) communication board	1	Y		无数模 NO CAD
26	A0108080009	基于 E22-900 的 LoRa 节点	LoRa nodes based on E22-900	1	Y		无数模 NO CAD 选配 Optional
27	A0110020005A	基于 E22-900 的 LoRa 节点	LoRa nodes based on E22-900	1	Y		无数模 NO CAD
28	100201446	lora 模块固定钣金	lora module fixed sheet metal	1	Y		无数模 NO CAD 选配 Optional
29	208220306121	耐落内六角圆柱头螺钉	Drop resistant hexagon socket cylindrical head screw	2	N		无数模 NO CAD 选配 Optional
30	208230310001	耐落内六角松不脱螺钉 (组合螺钉)	Anti-drop hexagon socket loosening non-disengagement screw (combination screw)	3	N		无数模 NO CAD 选配 Optional



带把手上盖中组件 The assembly in the handle cover



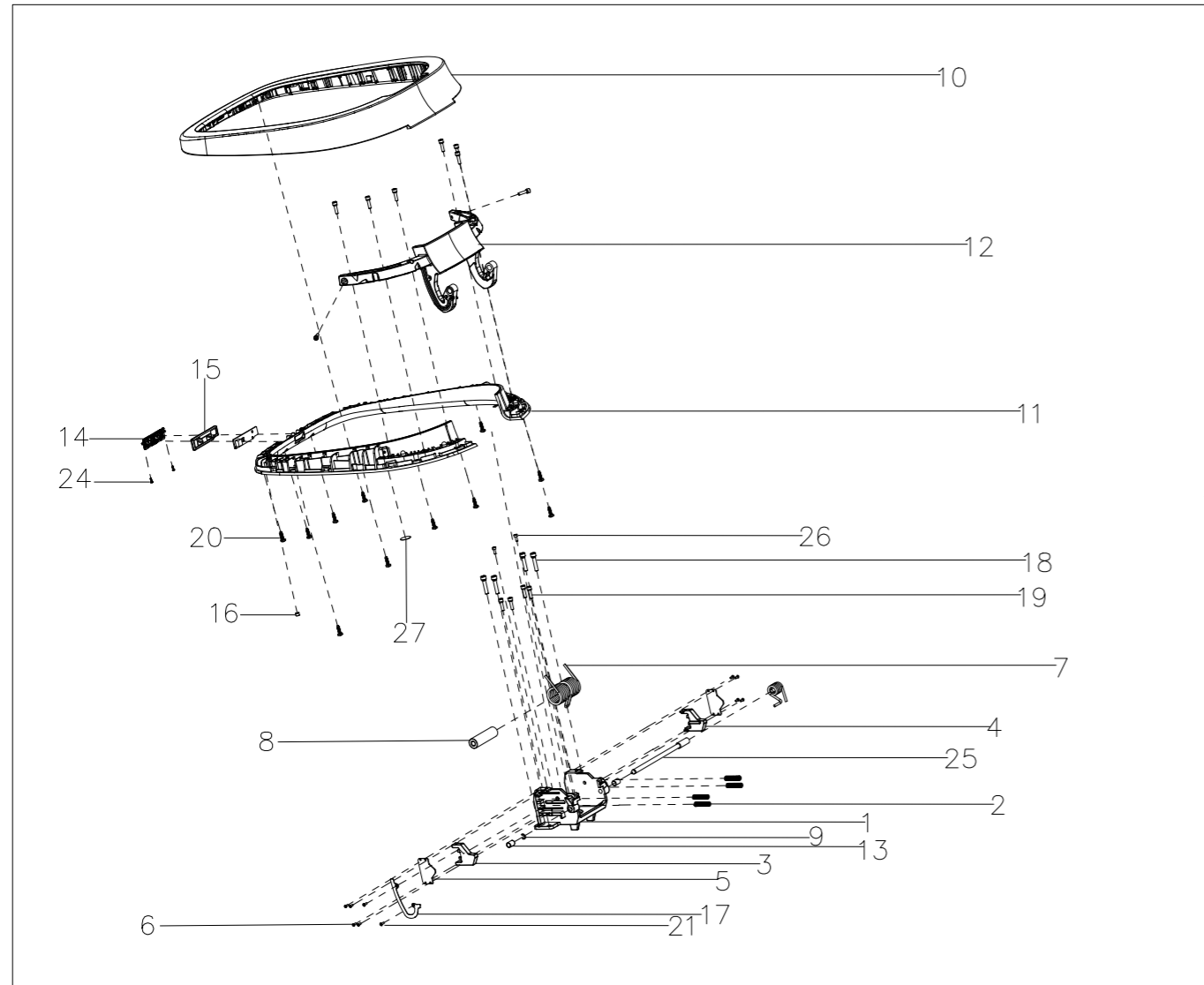
序号 No.	物料编码 Part Number	中文名称 Chinese Name	英文名称 English Name	数量 Quantity	Y 为备件 Spare Parts	替换料号 Replace part number	备注 Remarks
0	9000028220-A01	带把手上盖中组件	The assembly in the handle cover	1	N		
1	A0309005328A0-B02	带把手头盖转轴	Handle head cover rotating shaft	1	Y		
2	100200391	头盖转轴铜套	Copper sleeve of the head cover rotating shaft	2	Y		
3	1004019530-B01	后端遮丑橡胶盖	The rear end is covered with an ugly rubber cover	1	Y		
4	A0301011327	耐落内六角圆柱头螺钉 (非组合)	Drop resistant hexagon socket cylindrical head screw (non-combined)	4	N		
5	1004008070-B01	转轴遮挡盖	Rotating shaft cover	1	Y		
6	208230410021	耐落内六角圆柱头螺钉 (组合螺钉)	Drop resistant hexagon socket cylindrical head screws (combination screws)	2	N		
7	100300122	扭簧罩	Torsion spring cover	1	Y		无数模 NO CAD
8	208240308021	耐落内六角圆柱头螺钉 (组合螺丝)	Drop resistant hexagon socket cylindrical head screws (combination screws)	2	N		无数模 NO CAD
9	A0303005689AA-B01	带把手头盖连接板	Cover connection plate with handle	1	Y		
10	208140408021	耐落内六角沉头螺钉	Drop resistant hexagon socket countersunk screw	4	N		
11	A0304005943A0-B01	带把手释放按钮	Release button with handle	1	Y		
12	A0309005332A0-B01	带把手释放按钮支架	Release button bracket with handle	1	Y		
13	100700147	圆顶卡销弹簧	Dome pin spring	2	Y		
14	201314B14121	十字槽盘头自攻螺钉 F 型	Cross-groove disc head self-tapping screw type F	1	N		
15	201154B14121	十字槽沉头自攻螺钉 F 型	Cross-groove countersunk head self-tapping screw type F	6	N		
16	A0304005940AA-C01	带把手上盖中	It is covered with a handle	1	Y		
17	100600030	带把手防水透气膜	Waterproof and breathable membrane with handle	1	Y		
18	100200110	带把手散热风扇支架	Cooling fan bracket with handle	1	N		
19	100400418	带把手风扇罩壳	Fan cover with handle	1	N		
20	203130400	大垫圈 A 级	Large gasket grade A	4	N		
21	201312J08121	十字槽盘头自攻螺钉 F 型	Cross-groove disc head self-tapping screw type F	29	N		
22	201352J12021	十字槽盘头自攻螺钉 F 型	Cross-groove disc head self-tapping screw type F	4	N		无数模 NO CAD
23	208432E06021	耐落十字槽小盘头螺钉	Drop-resistant cross groove small head screw	4	N		无数模 NO CAD
24	100200358	拉线机构转轴	Rotating shaft of the wire pulling mechanism	1	Y		
25	102000189	平垫片	Flat gasket	2	N		无数模 NO CAD



序号 No.	物料编码 Part Number	中文名称 Chinese Name	英文名称 English Name	数量 Quantity	Y 为备件 Spare Parts	替换料号 Replace part number	备注 Remarks
26	201430330	六角铜螺柱	Hexagonal copper studs	2	N		无数模 NO CAD
27	A0301010012A	内六角圆柱头螺钉	Hexagon socket cylindrical head screw	2	N		无数模 NO CAD
28	100400410A-B01	带把手弹出块	Pop-up block with handle	2	Y		
29	1007000440-B01	带把手弹出块压簧	With handle ejection block compression spring	2	Y		
30	1004000980-B01	拉线机构伸缩卡钩包胶	The telescopic hook of the wire pulling mechanism is covered with rubber	1	Y		
31	1007001470-B01	圆顶卡销弹簧	Dome pin spring	2	Y		无数模 NO CAD
32	1020002810-E01	钢丝拉绳	Steel wire pull rope	1	Y		无数模 NO CAD
33	100200357	伸缩卡钩支架	Telescopic hook bracket	1	Y		
34	201382J08021	十字槽盘头自攻组合螺钉 F 型	Cross-groove disc head self-tapping combination screw type F	2	N		
35	3006002570-A01	WiFi 天线	WiFi antenna	1	Y		无数模 NO CAD
36	300600210	4G 天线	4G antenna	1	Y		无数模 NO CAD (general version)
37	300600210	4G 天线	4G antenna	1	Y		无数模 NO CAD (NonSW1 general version China V1.0.1)
38	9000028440-A01	特征组件	Feature component	1	N		无数模 NO CAD
39	3006002400-A01	LORA 天线	LORA antenna	1	Y		无数模 NO CAD
40	3006002410-A01	LORA 天线	LORA antenna	1	Y		无数模 NO CAD SW1 软银 定制 PRO 性能版澳 大利亚 V1.0.1 SW1 SoftBank Custom PRO Performanc e Edition Australia V1.0.1

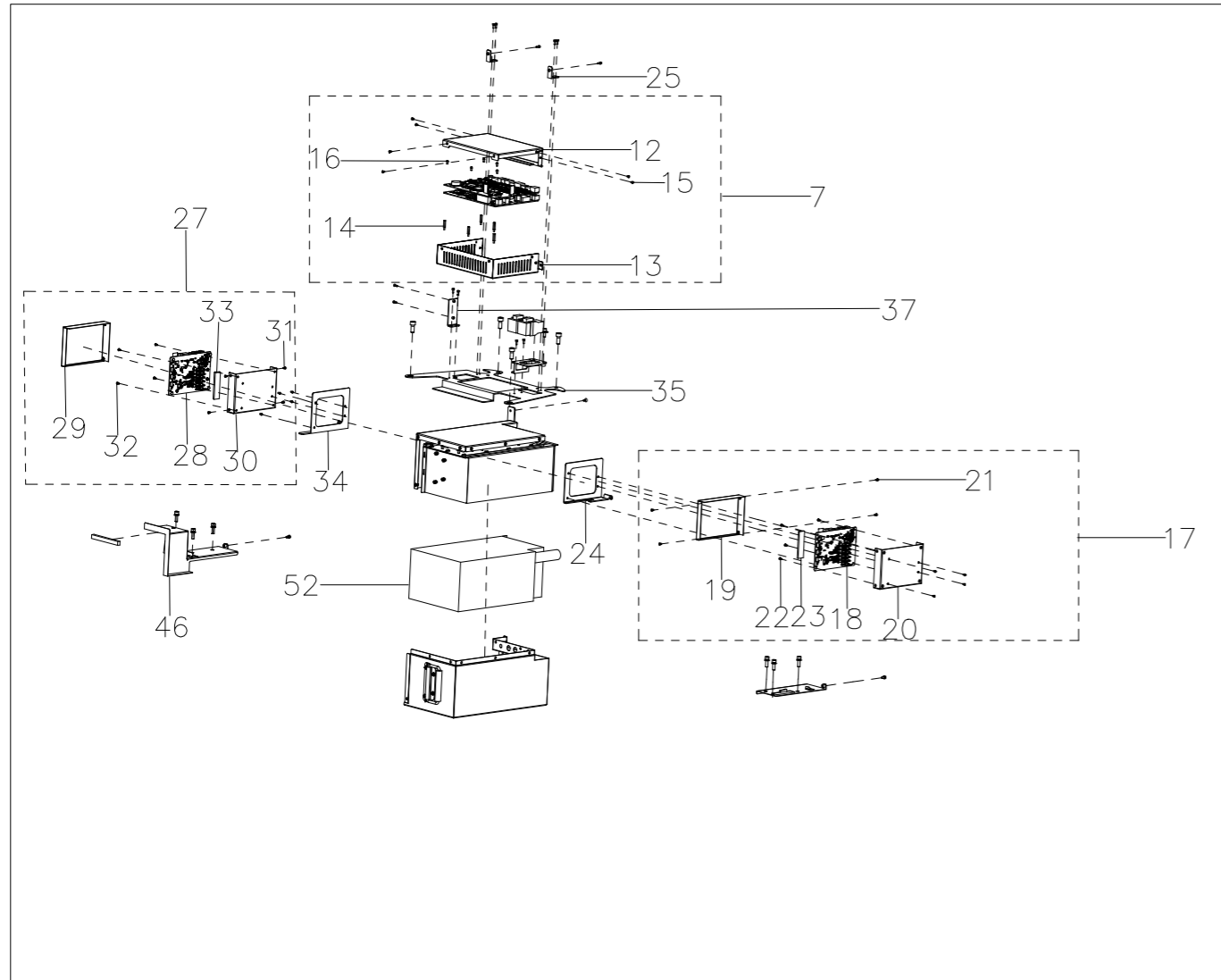


把手转轴组件 Handle shaft assembly

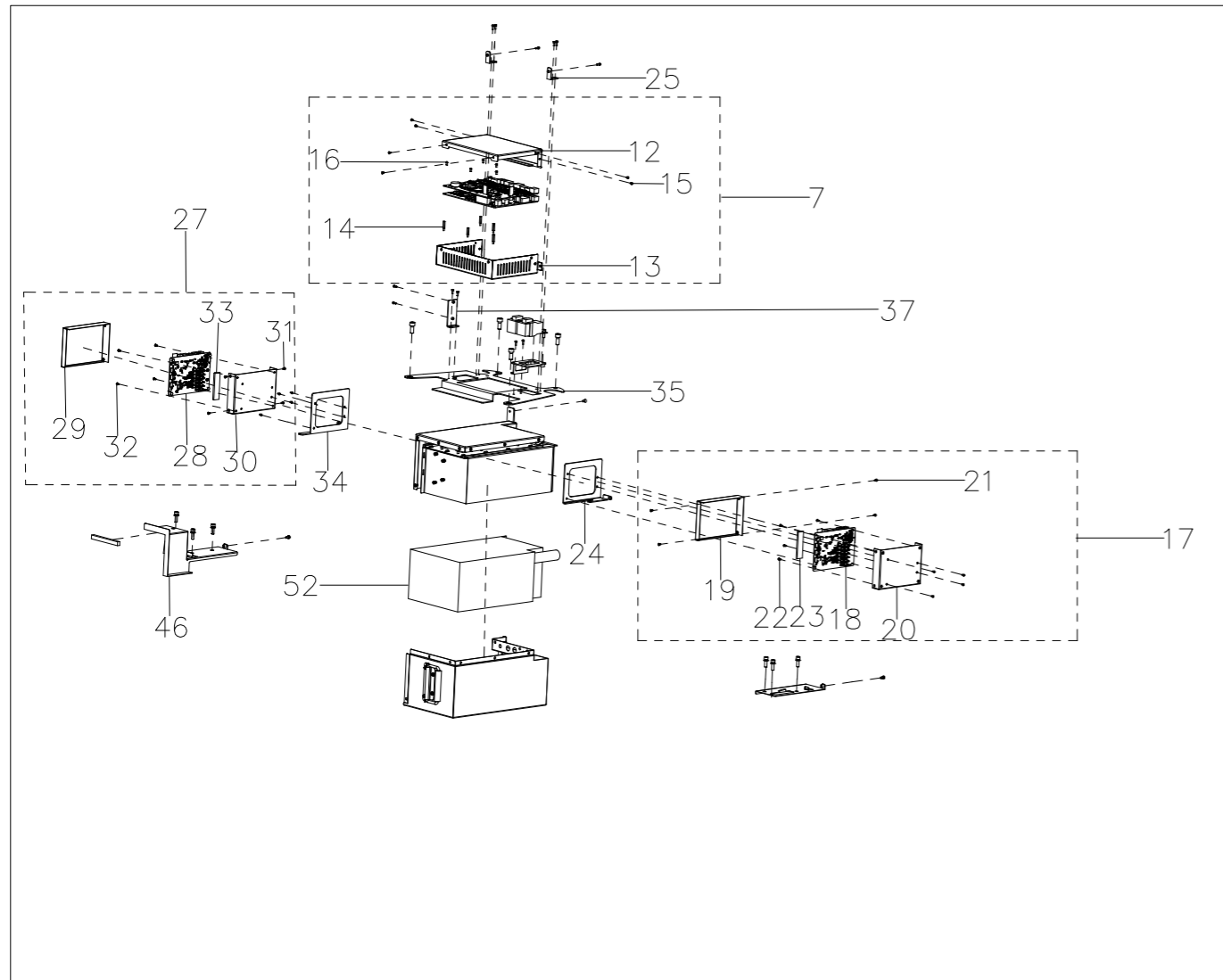


序号 No.	物料编码 Part Number	中文名称 Chinese Name	英文名称 English Name	数量 Quantity	Y 为备件 Spare Parts	替换料号 Replace part number	备注 Remarks
0	9000028470-A01	把手转轴组件	Handle shaft assembly	1	N		
1	A0309005327A0-B01	带把手转轴固定座	With handle rotating shaft fixing seat	1	Y		
2	100700064	插销运动弹簧	Pin movement spring	4	Y		
3	A0309005333A	带把手固定插销左	Left fixed latch with handle	1	Y		
4	A0309005334A	带把手固定插销右	The right side of the fixed latch with a handle	1	Y		
5	100900420	把手固定插销盖板	Fix the latch cover plate with the handle	2	Y		
6	208432E06021	耐落十字槽小盘头螺钉	Drop-resistant cross groove small head screw	8	N		
7	100700046A-B01	带把手扭簧	With handle torsion spring	1	Y		
8	100402022	头盖扭簧降噪套筒	Head cover torsion spring noise reduction sleeve	1	Y		
9	206130600	轴用弹性挡圈	Elastic retaining ring for shafts	1	Y		
10	A0304005944A0-B01	带把手塑料件外	Except for the plastic part with a handle	1	Y		
11	1002002100-B01	把手金属骨架	Metal frame of the handle	1	Y		
12	A0309005331A0-B01	带把手支架连接件	With handle bracket connection piece	1	Y		
13	100900117	把手铜套	Copper sleeve for handle	2	Y		
14	1004004120-A01	带把手前端按钮	Front button with handle	1	Y		
15	100400974	把手按键 PCB 防水软胶套	Waterproof soft rubber sleeve for PCB of handle keys	1	Y		
16	A0310000737A	磁铁	Magnet	1	Y		
17	100200544	把手线束遮挡盖	Handle wire harness cover	1	Y		
18	208230525	内六角圆柱头螺钉 (组合螺丝, 带弹垫平垫)	Hexagon socket cylindrical head screws (combination screws, with elastic flat washers)	4	N		
19	208240415	耐落内六角圆柱头螺钉 弹垫二组合	Two sets of anti-drop hex socket cylindrical head screws and spring washers	12	N		
20	201314B14121	十字槽盘头自攻螺钉 F 型	Cross-groove disc head self-tapping screw type F	12	N		
21	208152E05021	耐落十字槽沉头螺钉	Drop-resistant cross groove countersunk screws	2	N		
22	3010005430-A02	手柄线	Handle wire	1	Y		无数模 NO CAD
23	4008030610-A02	手柄按键板	Handle key plate	1	Y		无数模 NO CAD
24	201311106121	十字槽盘头自攻螺钉 F 型	Cross-groove disc head self-tapping screw type F	2	N		
25	1002003880-B01	把手旋转轴	Handle rotation shaft	1	Y		
26	208220308021	耐落内六角圆柱头螺钉 (非组合)	Drop resistant hexagon socket cylindrical head screw (non-combined)	2	N		
27	100402432A-A01	薄垫片	Thin gasket	2	Y		

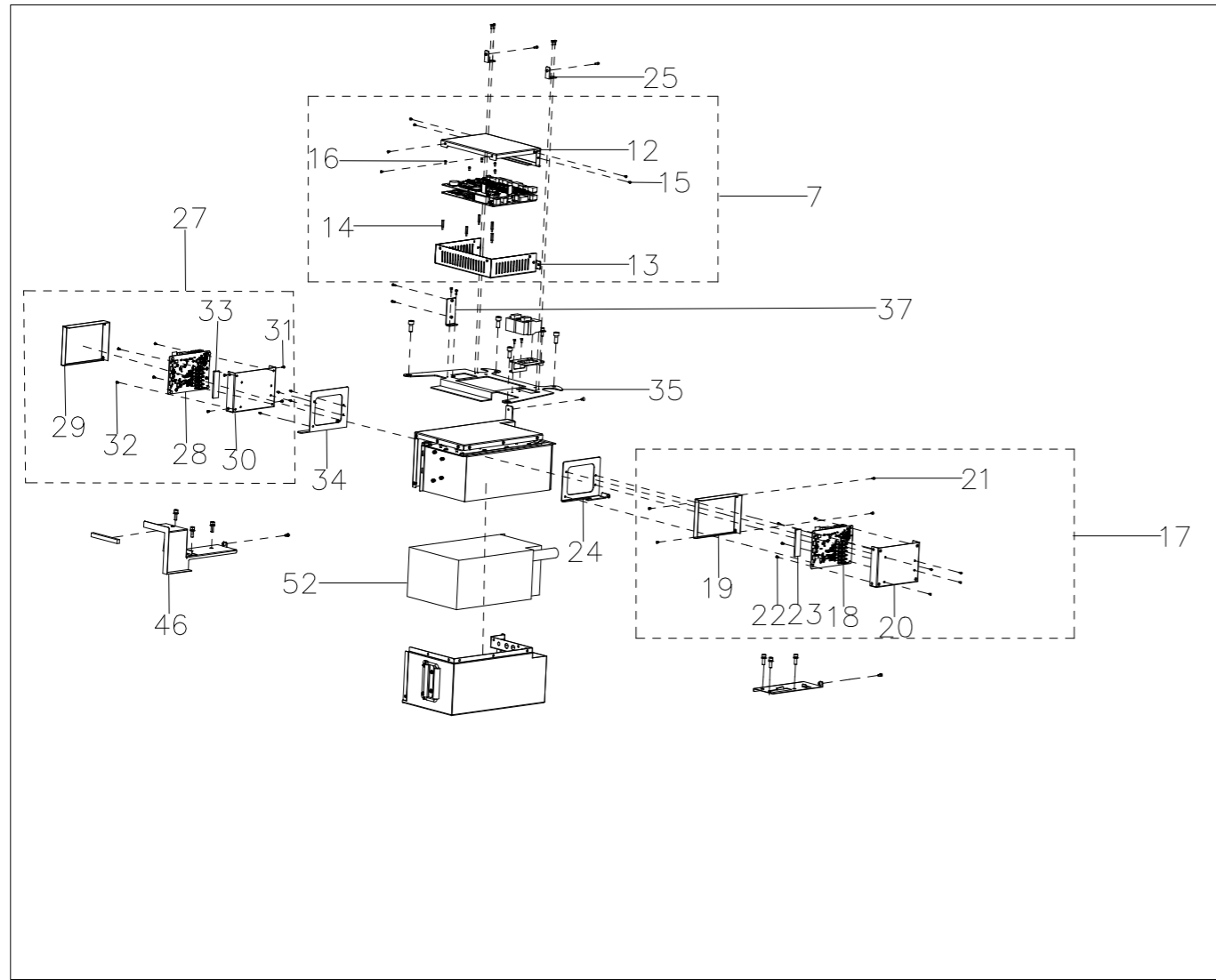
电气仓总成 Electrical compartment assembly



序号 No.	物料编码 Part Number	中文名称 Chinese Name	英文名称 English Name	数量 Quantity	Y 为备件 Spare Parts	替换料号 Replace part number	备注 Remarks
0	9000027760-A01	电气仓总成	Electrical compartment assembly	1	N		
1	3010007790-B02	电机线束	Motor wiring harness	1	Y		无数模 NO CAD
2	3010007760-C01	信号线束	Signal wiring harness	1	Y		无数模 NO CAD
3	3010008050-C01	继电器线束	Relay wiring harness	1	Y		无数模 NO CAD
4	3010007800-C01	主电源线束	Main power supply harness	1	Y		无数模 NO CAD
5	3010008600-A01	防水连接器胶壳	Waterproof connector rubber shell	1	Y		无数模 NO CAD SW1 软银定制性能版日本 V1.0.1 SW1 SoftBank Custom Performance Edition Japan V1.0.1
6	3010008610-A01	防水连接器胶壳	Waterproof connector rubber shell	1	Y		无数模 NO CAD SW1 软银定制性能版日本 V1.0.1 SW1 SoftBank Custom Performance Edition Japan V1.0.1
7	9000018380-C01	下位机控制器	Lower computer controller	1	Y		
8	9000024140-B01	功率板 PCBA 组件	Power board PCBA assembly	1	Y		无数模 NO CAD
9	9000024150-A01	下位机 PCBA 组件	Lower computer PCBA component	1	Y		无数模 NO CAD
10	A0108010003	锂锰扣式电池	Lithium-manganese button battery	1	Y		无数模 NO CAD
11	300500021	陀螺仪 IMU	Gyroscope IMU	1	Y		无数模 NO CAD
12	1002008650-B02	下位机上壳	Lower computer upper shell	1	Y		
13	1002008660-B02	下位机下壳	Lower computer lower shell	1	Y		
14	101100109	六角铜螺柱	Hexagonal copper studs	6	N		
15	A0301010120	十字沉头螺钉	Cross countersunk screw	6	N		
16	A0301011323	十字盘头螺钉	Cross head screw	6	N		
17	9000010830-B01	边刷伺服驱动模块	Brush the servo drive module on the side	1	N		



序号 No.	物料编码 Part Number	中文名称 Chinese Name	英文名称 English Name	数量 Quantity	Y 为备件 Spare Parts	替换料号 Replace part number	备注 Remarks
18	9000024170-A01	边刷驱动板 PCBA 组件	Brush the PCBA assembly of the driver board on the side	1	Y		
19	1002012310-B02	伺服驱动板-上壳	Servo drive control board - upper shell	1	Y		
20	1002012320-B02	伺服驱动板-下壳	Servo drive control board - lower shell	1	Y		
21	A0301010120	十字沉头螺钉	Cross countersunk screw	4	N		
22	A0301011323	十字盘头螺钉	Cross head screw	8	N		
23	100402197	散热硅脂	Heat dissipation silicone grease	1	Y		
24	100201852A-D01	驱动器固定件	Driver fasteners	1	Y		
25	100202010A-A01	下位机固定件	Lower computer fixture	2	Y		
26	A0301010401	内六角圆柱头螺钉 (组合螺丝, 带弹垫平垫)	Hexagon socket cylindrical head screws (combination screws, with elastic flat washers)	10	N		无数模 NO CAD
27	9000010830-B02	轮毂伺服驱动模块	Hub servo drive module	1	N		
28	9000024160-A01	轮毂驱动板 PCBA 组件	Hub drive board PCBA assembly	1	Y		
29	1002012310-B02	伺服驱动板-上壳	Servo drive control board - upper shell	1	Y		
30	1002012320-B02	伺服驱动板-下壳	Servo drive control board - lower shell	1	Y		
31	A0301010120	十字沉头螺钉	Cross countersunk screw	4	N		
32	A0301011323	十字盘头螺钉	Cross head screw	8	N		
33	100402197	散热硅脂	Heat dissipation silicone grease	1	Y		
34	100201889A-A01	驱动器固定板	Driver fixing plate	1	Y		
35	100201846A-C01	电气安装板	Electrical installation board	1	Y		
36	208210816001	耐落内六角圆柱头螺钉 (组合螺丝)	Drop resistant hexagon socket cylindrical head screws (combination screws)	4	N		无数模 NO CAD
37	100202097A-A01	转接板	Adapter board	1	Y		
38	3010005750-A01	线束附件	Wiring harness accessories	2	Y		无数模 NO CAD

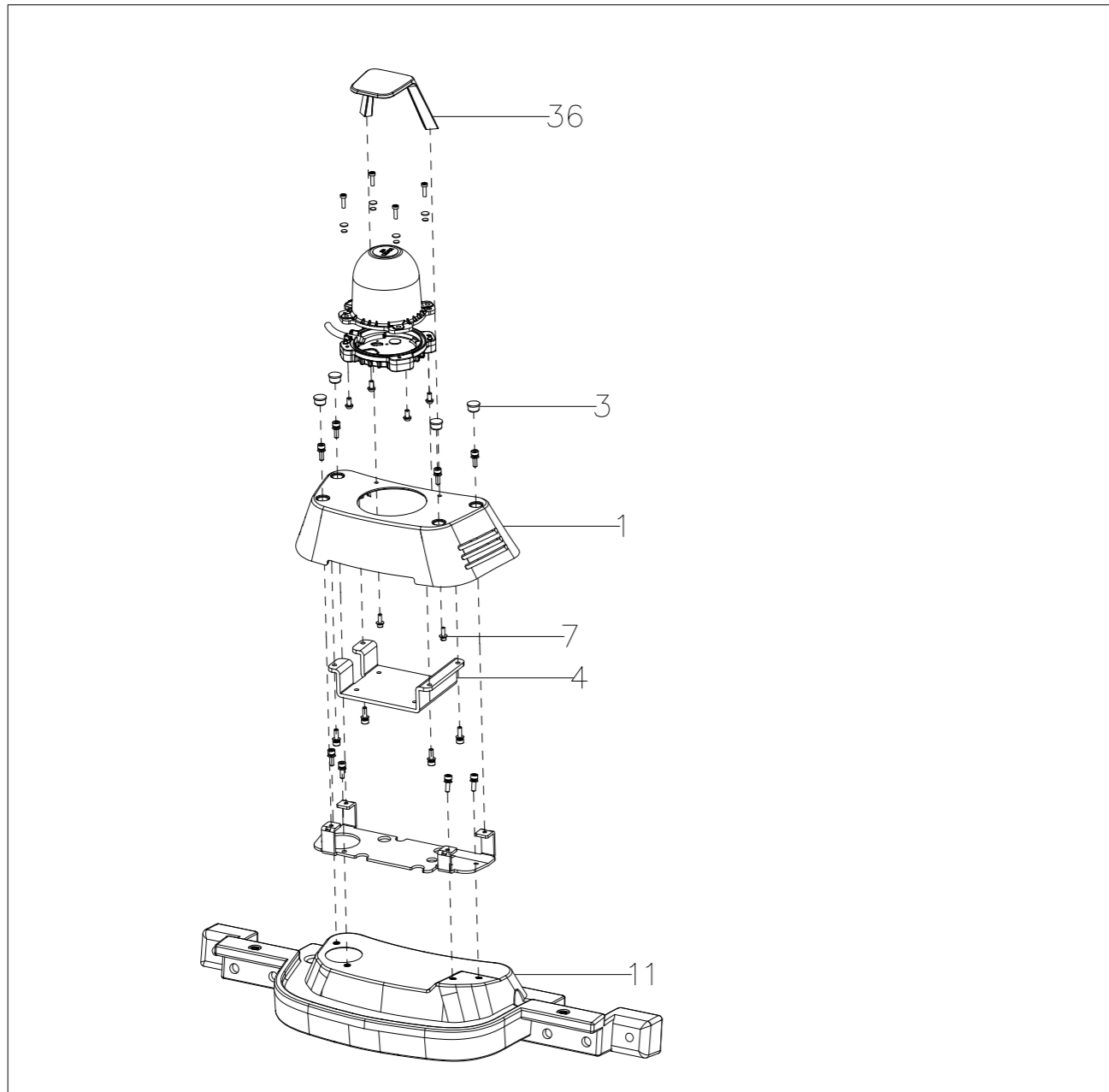


序号 No.	物料编码 Part Number	中文名称 Chinese Name	英文名称 English Name	数量 Quantity	Y 为备件 Spare Parts	替换料号 Replace part number	备注 Remarks
39	3010005810-A01	线束附件	Wiring harness accessories	2	Y		无数模 NO CAD
40	3010005810-A01	线束附件	Wiring harness accessories	4	Y		无数模 NO CAD
41	1020008310-A01	3M 背胶扎带	3M self-adhesive cable ties	1	Y		无数模 NO CAD
42	100201844A-C01	左支架	Left bracket	1	Y		无数模 NO CAD
43	3010009180-A01	接地短接线束	Ground short-circuit wiring harness	1	Y		无数模 NO CAD
44	3010008030-B01	接地短接线束	Ground short-circuit wiring harness	2	Y		无数模 NO CAD
45	3010008420-B01	接地短接线束	Ground short-circuit wiring harness	1	Y		无数模 NO CAD
46	100201952A-D01	右支架	Right bracket	1	Y		
47	208240612001	耐落内六角圆柱头螺钉 (组合螺丝)	Drop resistant hexagon socket cylindrical head screws (combination screws)	6	N		无数模 NO CAD
48	208240410	耐落内六角圆柱头螺钉 (组合螺丝, 带弹垫平垫)	Drop resistant hexagon socket cylindrical head screws (combination screws, with elastic flat washers)	2	Y		无数模 NO CAD
49	100600451A-A01	直线密封条	Linear sealing strip	1	Y		无数模 NO CAD
50	3001000840-B01	磷酸铁锂电池	Lithium iron phosphate battery	1	Y		无数模 NO CAD SW1 软银定制 PRO 性能版澳大利亚 V1.0.1 SW1 SoftBank Custom PRO Performance Edition Australia V1.0.1
51	100201843A-B01	电池安装板	Battery mounting plate	1	Y		无数模 NO CAD
52	3001000220-C01	磷酸铁锂电池	Lithium iron phosphate battery	1	Y		SW1 软银定制性能版日本 V1.0.1 SW1 SoftBank Custom Performance Edition Japan V1.0.1



3D 激光组件 3D laser component

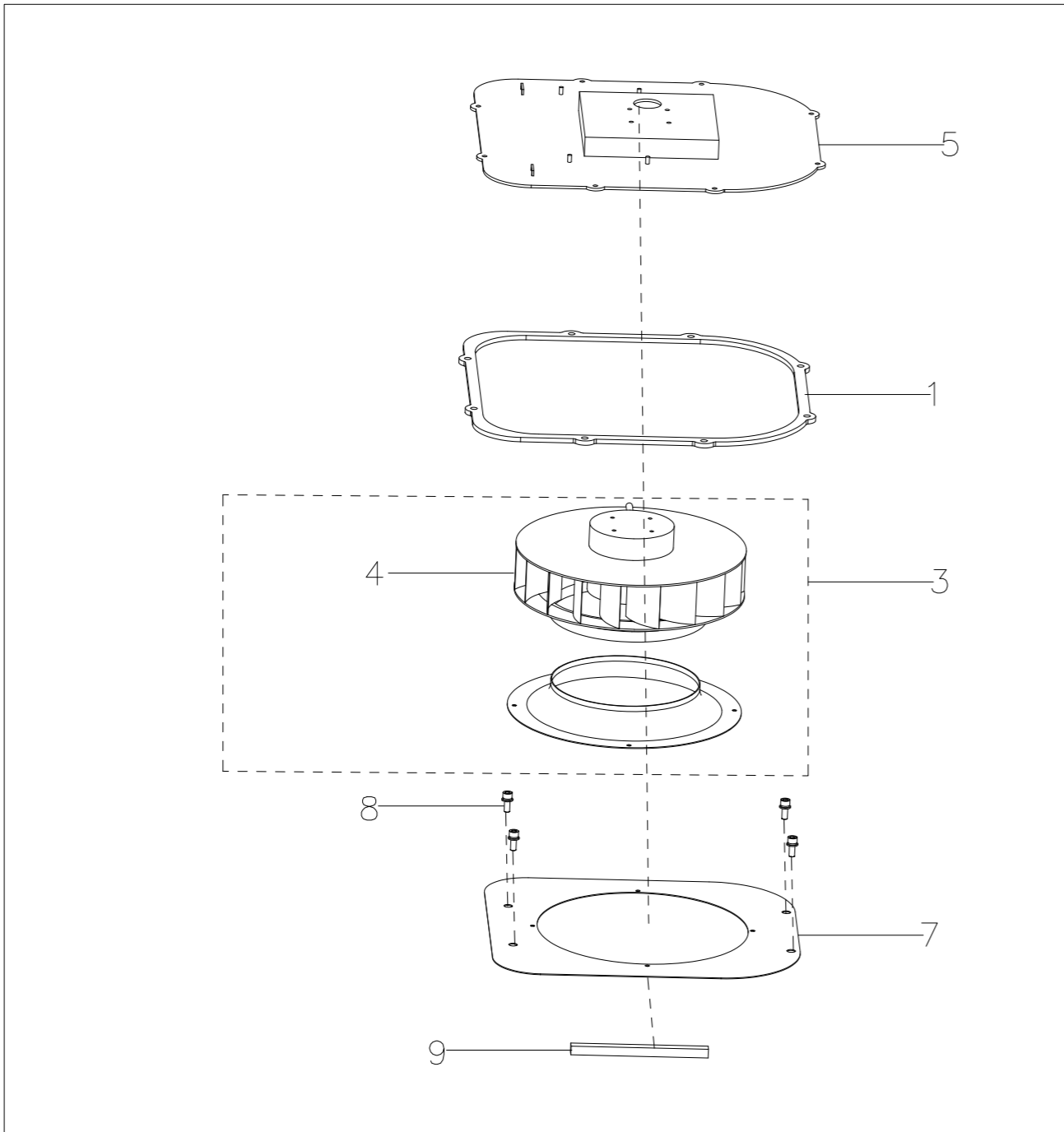
序号 No.	物料编码 Part Number	中文名称 Chinese Name	英文名称 English Name	数量 Quantity	Y 为备件 Spare Parts	替换料号 Replace part number	备注 Remarks
0	9000028150-A01	3D 激光组件	3D laser component	1	N		
1	1014000150-A01	3D 激光安装罩	3D laser installation cover	1	Y		
2	208220308021	耐落内六角圆柱头螺钉 (非组合)	Drop resistant hexagon socket cylindrical head screw (non-combined)	8	N		无数模 NO CAD
3	1004027490-A01	硅胶塞	Silicone stopper	4	Y		
4	1002018790-A01	3D 激光安装底板	3D laser installation base plate	1	Y		
5	4008030870-B02	雷达转接板	Radar adapter board	1	Y		无数模 NO CAD
6	208430205021	耐落十字槽盘头螺钉	Drop-resistant cross groove disc head screws	3	N		无数模 NO CAD
7	201410200001	耐落内六角圆柱头螺钉 (组合螺丝, 带弹垫平垫)	Drop resistant hexagon socket cylindrical head screws (combination screws, with elastic flat washers)	6	N		
8	208240308	耐落内六角圆柱头螺钉 (组合螺丝, 带弹垫平垫)	Drop resistant hexagon socket cylindrical head screws (combination screws, with elastic flat washers)	2	N		无数模 NO CAD
9	300500173A-A01	16 线激光雷达	16-line lidar	1	Y		无数模 NO CAD
10	3010008070-A01	3D 激光转接线束	3D laser adapter wiring harness	1	Y		无数模 NO CAD
11	1004028060-B02	3D 激光底座	3D laser base	1	Y		无数模 NO CAD
12	203130400	大垫圈 A 级	Large gasket grade A	2	Y		无数模 NO CAD
13	A0301010067	内六角圆柱头螺钉	Hexagon socket cylindrical head screw	2	N		无数模 NO CAD
14	202160800	锁紧螺母	Lock nut	2	N		无数模 NO CAD
15	208230620	内六角圆柱头螺钉 (组合螺丝, 带弹垫平垫)	Hexagon socket cylindrical head screws (combination screws, with elastic flat washers)	2	N		无数模 NO CAD
16	100201849A-A01	方垫片	Square gasket	4	Y		无数模 NO CAD
17	100201947A-A01	3D 主激光支架	3D main laser bracket	1	Y		无数模 NO CAD
18	100201853A-C01	散热风扇固定座	Cooling fan fixing base	1	Y		无数模 NO CAD
19	A02060300010-B01	散热风扇	Cooling fan	2	Y		无数模 NO CAD
20	A0206040001	风扇防护罩	Fan guard cover	2	Y		无数模 NO CAD
21	3004000250-A01	风扇防护罩	Fan guard cover	2	Y		无数模 NO CAD
22	100600436A-A01	进风口过滤棉	Air inlet filter cotton	2	N		无数模 NO CAD
23	208140425	耐落内六角沉头螺钉	Drop resistant hexagon socket countersunk screw	8	N		无数模 NO CAD

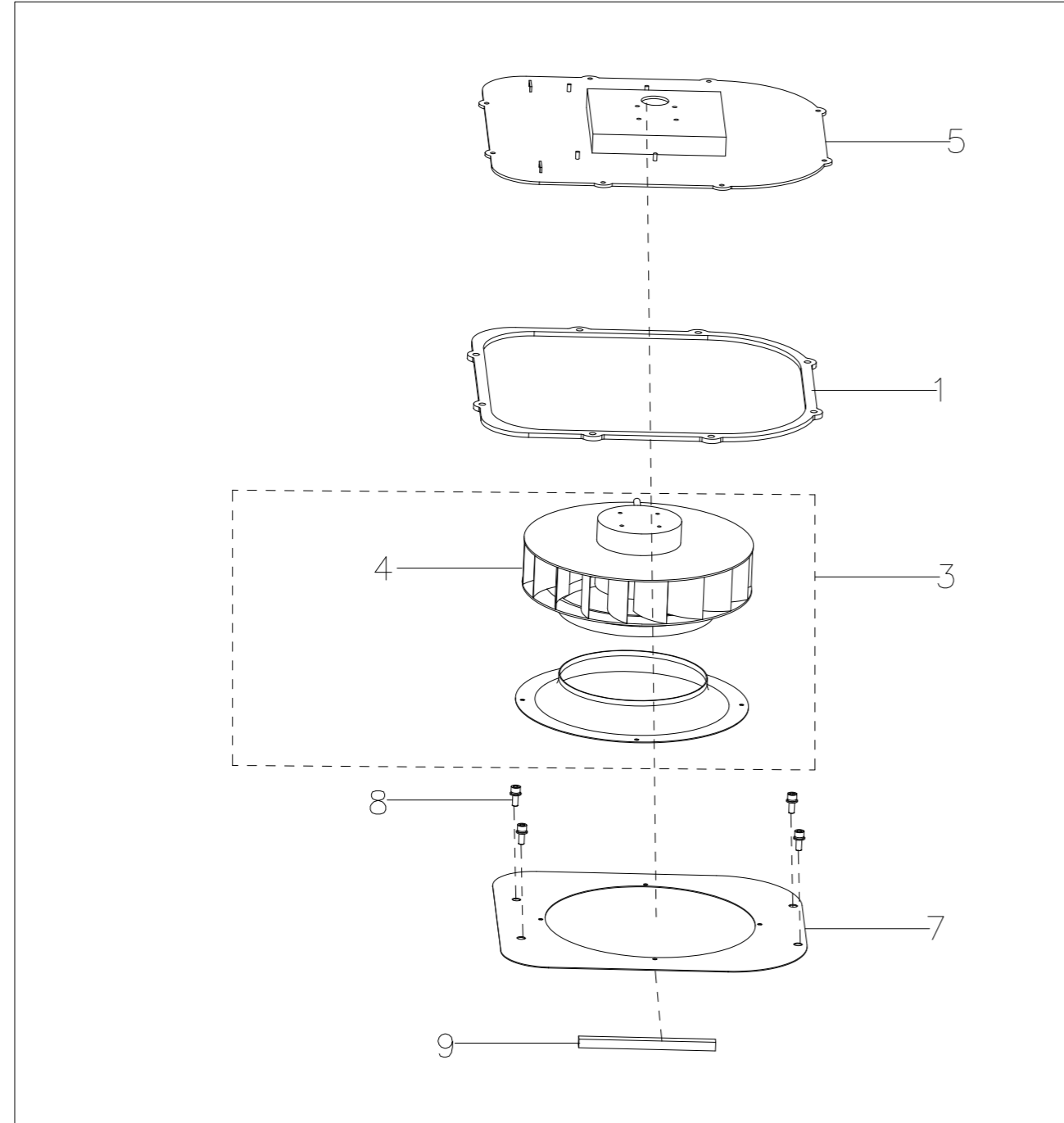




吸风总成 Suction assembly

序号 No.	物料编码 Part Number	中文名称 Chinese Name	英文名称 English Name	数量 Quantity	Y 为备件 Spare Parts	替换料号 Replace part number	备注 Remarks
0	9000027870-A01	吸风总成	Suction assembly	1	N		
1	100402813A-A01	密封垫	Sealing gasket	1	Y		
2	3010008020-B01	接地短接线束	Ground short-circuit wiring harness	1	Y		无数模 NO CAD
3	3007001590-A01	直流后倾离心风机	Dc backward-curved centrifugal fan	1	Y		
4	A0209050004	吸尘风机	Dust suction fan	1	Y		
5	1002018250-D01	风机安装板	Fan installation plate	1	Y		
6	3010009170-A01	线束附件	Wiring harness accessories	1	Y		无数模 NO CAD
7	1002018240-B01	导流板盖	Deflector cover	1	Y		
8	208240616001	耐落内六角圆柱头螺钉 (组合螺丝)	Drop resistant hexagon socket cylindrical head screws (combination screws)	4	N		
9	1006004070-B01	海绵条	Sponge strip	1.14	Y		
10	208210410	内六角圆柱头螺钉	Hexagon socket cylindrical head screw	14	N		无数模 NO CAD
11	208240412	耐落内六角圆柱头螺钉 (组合螺丝, 带弹垫平垫)	Drop resistant hexagon socket cylindrical head screws (combination screws, with elastic flat washers)	8	N		无数模 NO CAD
12	202160400	锁紧螺母	Lock nut	4	N		无数模 NO CAD
13	3010009170-A01	线束附件	Wiring harness accessories	1	Y		无数模 NO CAD
14	100201848A-A01	上位机固定件	Upper computer fixing parts	1	Y		无数模 NO CAD
15	9000026460-A01	上位机组件	Upper computer components	1	N		无数模 NO CAD
16	3009000460-B01	上位机组件	Upper computer components	1	N		无数模 NO CAD
17	5001000160-A01	SW-RK3588-上位机镜像	SW-RK3588- Host Computer Image	1	N		无数模 NO CAD
18	208140408021	耐落内六角沉头螺钉	Drop resistant hexagon socket countersunk screw	4	N		无数模 NO CAD
19	9000019060-A01	4G&5G 封装盒组件	4G&5G packaging box components	1	Y		无数模 NO CAD
20	3010006230-A01	转接线	Adapter cable	1	Y		无数模 NO CAD
21	A0206040033A	通信模块	Communication module	1	Y		无数模 NO CAD
22	A0206020111	手机 SIM 卡	Mobile phone SIM card	1	Y		无数模 NO CAD
23	4008030600-A01	4G 转接板	4G adapter board	1	N		无数模 NO CAD
24	1004025880-A01	4G 封装顶盖	4G packaged top cover	1	N		无数模 NO CAD
25	1004025870-A01	4G 封装底盖	4G packaged bottom cover	1	N		无数模 NO CAD

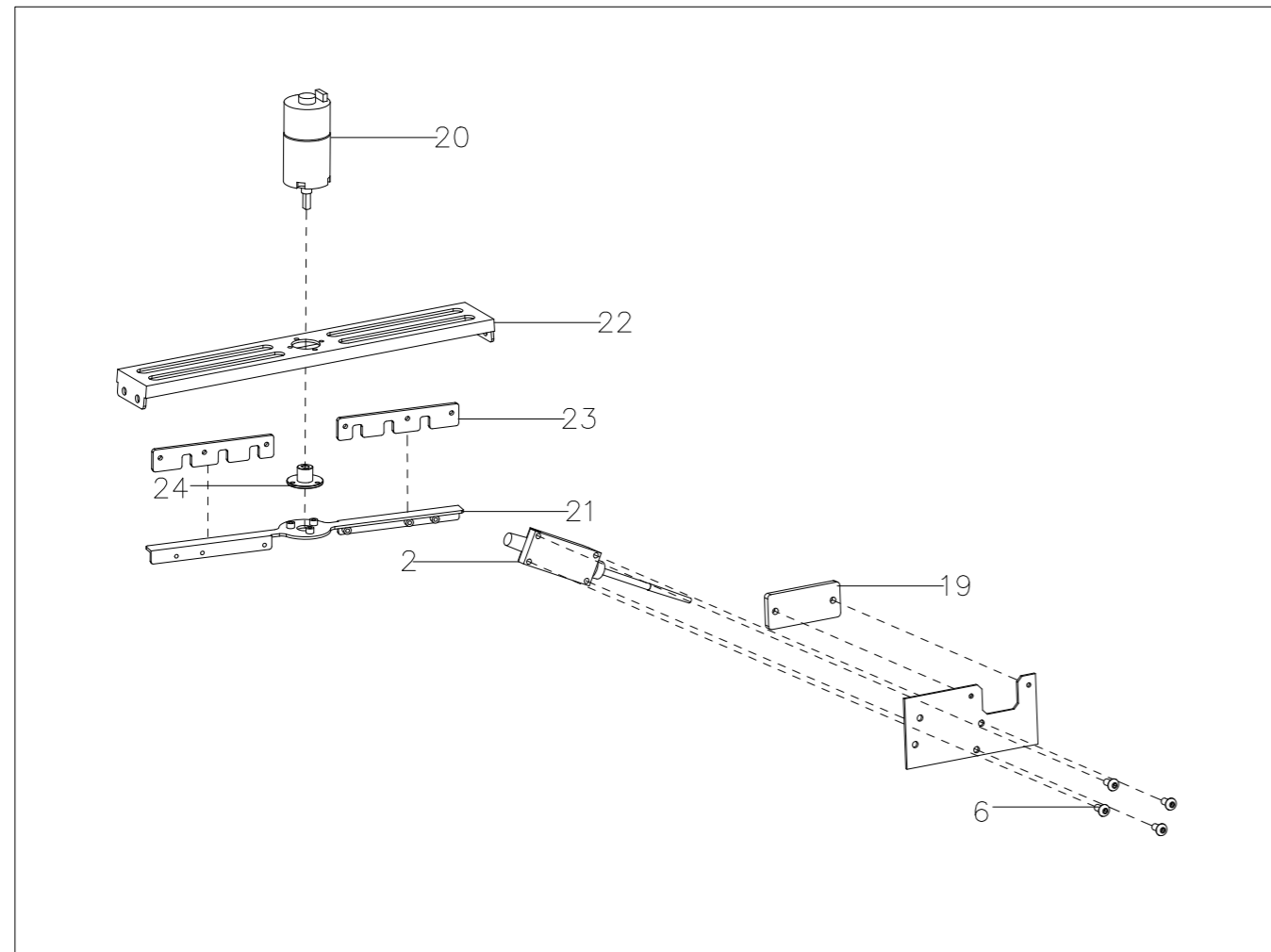


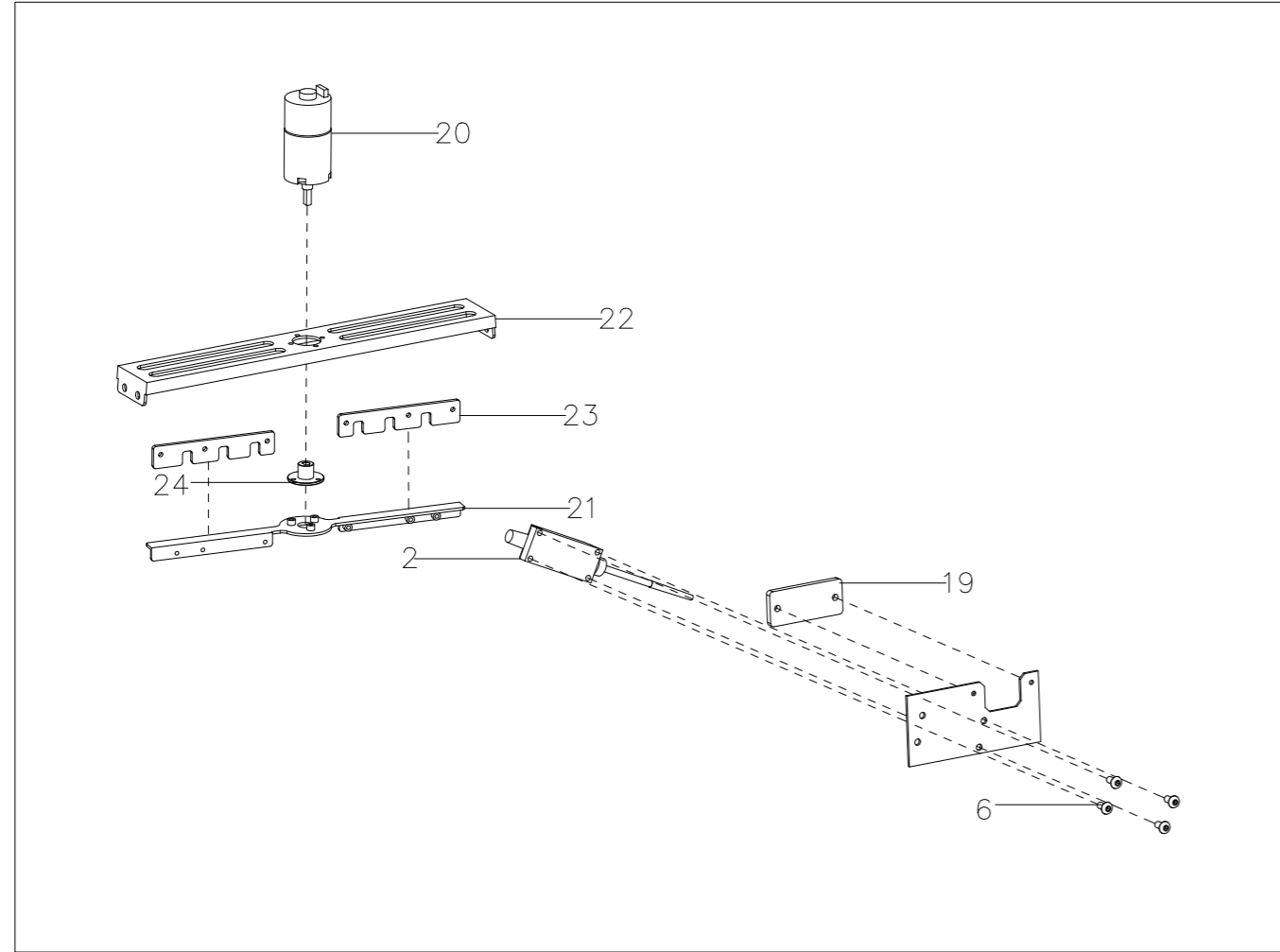


序号 No.	物料编码 Part Number	中文名称 Chinese Name	英文名称 English Name	数量 Quantity	Y 为备件 Spare Parts	替换料号 Replace part number	备注 Remarks
26	1006003780-A01	圆形硅胶垫	Circular silicone pad	1	N		无数模 NO CAD
27	1006003760-A01	密封硅胶件	Sealing silicone rubber parts	1	N		无数模 NO CAD
28	1006003790-A01	密封垫	Sealing gasket	1	N		无数模 NO CAD
29	1004026000-A01	密封盖板	Sealing cover plate	1	N		无数模 NO CAD
30	1020008700-A01	O 型橡胶密封圈	O-ring rubber sealing ring	1	N		无数模 NO CAD
31	201312J08121	十字槽盘头自攻螺钉 F 型	Cross-groove disc head self-tapping screw type F	10	N		无数模 NO CAD
32	208430205021	耐落十字槽盘头螺钉	Drop-resistant cross groove disc head screws	4	N		无数模 NO CAD
33	3010007450-A01	4G/5G 线束	4G/5G wiring harness	1	N		无数模 NO CAD
34	9000026130-A01	4G&5G 封装盒组件	4G&5G packaging box components	1	Y		无数模 NO CAD SW1 软银定制性能版日本 V1.0.1 SW1 SoftBank Custom Performance Edition Japan V1.0.1
35	9000028790-A01	4G&5G 封装盒组件	4G&5G packaging box components	1	Y		无数模 NO CAD
36	9000028100-A01	特征组件	Feature component	1	N		无数模 NO CAD
37	9000019070-A01	4G&5G 封装盒组件	4G&5G packaging box components	1	Y		无数模 NO CAD
38	9000028110-A01	4G&5G 封装盒组件	4G&5G packaging box components	1	Y		无数模 NO CAD
39	3006003330-A01	通信模块	Communication module	1	Y		无数模 NO CAD
40	300600209	4g 网络 AP	4g Network AP	1	Y		无数模 NO CAD
41	A0208030009	4g 网络 AP	4g Network AP	1	Y		无数模 NO CAD SW1 软银定制性能版日本 V1.0.1 SW1 SoftBank Custom Performance Edition Japan V1.0.1

震尘总成 Dust-shaking assembly

序号 No.	物料编码 Part Number	中文名称 Chinese Name	英文名称 English Name	数量 Quantity	Y 为备件 Spare Parts	替换料号 Replace part number	备注 Remarks
0	9000028500-A01	震尘总成	Dust-shaking assembly	1	N		
1	9000026590-A01	行程开关组件	Limit switch assembly	1	N		无数模 NO CAD
2	A0214040002	行程开关	Limit switch	1	Y		
3	3010009190-A01	线束	Wiring harness	1	Y		无数模 NO CAD
4	3010009040-A01	传感器线束	Sensor wiring harness	1	Y		无数模 NO CAD
5	1002020980-A01	传感器支架	Sensor bracket	1	Y		无数模 NO CAD
6	101100025	耐落内六角平圆头螺钉	Drop resistant hexagon socket flat round head screw	4	N		
7	208240415	耐落内六角圆柱头螺钉 弹垫二组合	Two sets of anti-drop hex socket cylindrical head screws and spring washers	4	N		无数模 NO CAD
8	202160400	锁紧螺母	Lock nut	4	N		无数模 NO CAD
9	100402794A-A01	拨尘板	Dust removal board	10	Y		无数模 NO CAD SW1 软银 定制性能 版日本 V1.0.1 SW1 SoftBank Custom Performanc e Edition Japan V1.0.1
10	1004027960-A01	摆臂隔套	Swing arm spacer sleeve	8	Y		无数模 NO CAD SW1 软银 定制性能 版日本 V1.0.1 SW1 SoftBank Custom Performanc e Edition Japan V1.0.1
11	100201830A-C01	摆动连杆	Swing connecting rod	1	Y		无数模 NO CAD SW1 软银 定制性能 版日本 V1.0.1 SW1 SoftBank Custom Performanc e Edition Japan V1.0.1





序号 No.	物料编码 Part Number	中文名称 Chinese Name	英文名称 English Name	数量 Quantity	Y 为备件 Spare Parts	替换料号 Replace part number	备注 Remarks
12	100201831H-B01	把手	Handle	1	Y		无数模 NO CAD SW1 软银 定制性能 版日本 V1.0.1 SW1 SoftBank Custom Performanc e Edition Japan V1.0.1
13	100201832A-C01	摆臂固定支架	Swing arm fixing bracket	1	Y		无数模 NO CAD SW1 软银 定制性能 版日本 V1.0.1 SW1 SoftBank Custom Performanc e Edition Japan V1.0.1
14	202160400	锁紧螺母	Lock nut	5	N		无数模 NO CAD
15	208240412	耐落内六角圆柱头螺钉 (组合螺丝, 带弹垫平垫)	Drop resistant hexagon socket cylindrical head screws (combination screws, with elastic flat washers)	4	N		无数模 NO CAD
16	208730605001	内六角圆柱头轴肩螺钉	Hexagon socket cylindrical head shaft shoulder screw	1	N		无数模 NO CAD
17	A0301030008	大垫片	Large gasket	2	N		无数模 NO CAD
18	208240510	耐落内六角圆柱头螺钉 (组合螺丝, 带弹垫平垫)	Drop resistant hexagon socket cylindrical head screws (combination screws, with elastic flat washers)	2	N		无数模 NO CAD
19	1002021000-A01	安装支架	Installation bracket	1	Y		SW1 软银 定制 PRO 性能版澳 大利亚 V1.0.1 SW1 SoftBank Custom PRO Performanc e Edition Australia V1.0.1



序号 No.	物料编码 Part Number	中文名称 Chinese Name	英文名称 English Name	数量 Quantity	Y 为备件 Spare Parts	替换料号 Replace part number	备注 Remarks
20	A02090100130-B01	无刷电机	Brushless motor	1	Y		SW1 软银定制 PRO 性能版澳大利亚 V1.0.1 SW1 SoftBank Custom PRO Performance Edition Australia V1.0.1
21	100201999A-A01	旋转支架	Rotating bracket	1	Y		SW1 软银定制 PRO 性能版澳大利亚 V1.0.1 SW1 SoftBank Custom PRO Performance Edition Australia V1.0.1
22	100202096A-A01	电机安装座	Motor mounting base	1	Y		SW1 软银定制 PRO 性能版澳大利亚 V1.0.1 SW1 SoftBank Custom PRO Performance Edition Australia V1.0.1
23	100402958A-A01	拨尘板	Dust removal board	2	Y		SW1 软银定制 PRO 性能版澳大利亚 V1.0.1 SW1 SoftBank Custom PRO Performance Edition Australia V1.0.1

